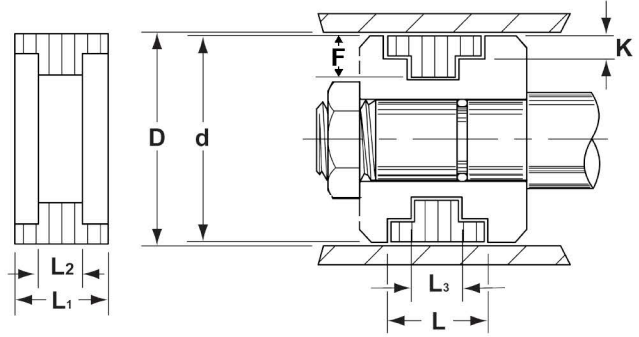


# WBT/F1 Nylon T Shaped Wearbands - Inch & Metric



## Inch Sizes

T-Shaped wearbands are manufactured from glass reinforced nylon and are found in some forklift and telescopic cylinders. They offer space saving advantages by allowing full piston length bearing contact and do not require side lands.

EXAMPLE: WBT0400-0562-125-N1B						
Prefix	Bore Diameter		Overall Bearing Ht		Cross Section	Cut Type
WBT	0400	-	0562	-	125	B
	4"		9/16"		1/8"	BUTT

Part Number	Bore Dia. D	Overall Groove Ht L	Overall Bearing Ht L <sub>1</sub>	Bearing-Inner Ht L <sub>2</sub>	Wall Thickness K	Cross Section F
WBT0162-0562-125-N1B	1.625	0.567	0.562	0.187	0.125	0.062
WBT0200-0437-125-N1B	2.000	0.442	0.437	0.187	0.125	0.062
WBT0225-0437-125-N1B	2.250	0.442	0.437	0.187	0.125	0.062
WBT0275-0562-125-N1B	2.750	0.567	0.562	0.187	0.125	0.062
WBT0300-0562-125-N1B	3.000	0.570	0.562	0.187	0.125	0.062
WBT0400-0562-125-N1B	4.000	0.570	0.562	0.187	0.125	0.062
WBT0550-0750-125-N1B	5.500	0.755	0.750	0.234	0.125	0.062
WBT0600-0625-125-N1B	6.000	0.630	0.625	0.234	0.125	0.062
WBT0650-0750-125-N1B	6.500	0.755	0.750	0.234	0.125	0.062
WBT0750-0750-125-N1B	7.500	0.755	0.750	0.234	0.125	0.062
WBT0850-0750-125-N1B	8.500	0.755	0.750	0.234	0.125	0.062

## Metric Sizes

F1 style T-Shaped wearbands are manufactured from glass filled Polyamide material and are primarily used in hydraulic cylinders, but may also be used in lubricated pneumatics with steel or cast iron pistons. They offer space saving advantages by allowing full piston length bearing contact and do not require side lands.

EXAMPLE: F1-125X14.3			
Prefix	Outside Diameter		Total Bearing Ht
F1-	125	X	14.3
	125mm		14.3mm

Part Number	Bore Diameter D	Bearing Height L <sub>1</sub>	Groove Dimensions					Gap
			Piston Diameter d	Groove Diameter d <sub>1</sub>	Groove Diameter d <sub>2</sub>	Groove Height L	Groove Height L <sub>3</sub>	
F1-50X9.8	50	9.8	49.6	42.5	46.8	10.5	3.5	3
F1-80X14.3	80	14.3	79.5	71	76.5	15	5	5
F1-100X14.3	100	14.3	99.4	91	96.5	15	5	8