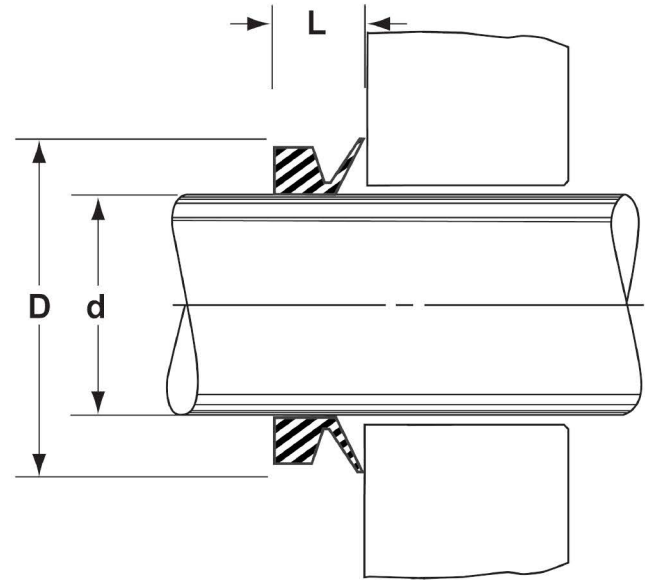
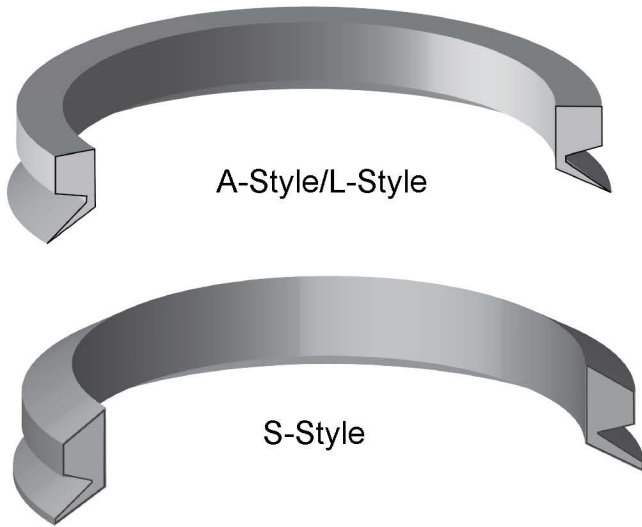


V Style Nitrile Axial Face Seals - Metric



EXAMPLE: V-16A		
Prefix	Median Shaft Diameter	Suffix
V-	16	A
	16mm	FLAT TOP

STYLES W/SUFFIX "A" OR "L" HAVE FLAT TOP/
"S" STYLE HAS ANGLED TOP

The V style axial face seal is made of 70 Shore A nitrile and one size can be used for several different diameter rotating shafts. This seal requires little space and is easily installed by just stretching over the shaft.

Temperature: 40°F to 221°F

Pressure: ≤ 4 PSI

Part Number	Rod Dia. d	Seal ID	OD Min D	Total Height L
V-014A	13.5 - 15.5	12.5	d + 9	5.5
V-016A	15.5 - 17.5	14	d + 9	5.5
V-018A	17.5 - 19.5	16	d + 9	5.5
V-020A	19-21	18	d + 12	7.5
V-022S	21-24	20	d + 12	10.5
V-025A	24-27	22	d + 12	7.5
V-030A	29-31	27	d + 12	7.5
V-030S	29-31	27	d + 12	10.5
V-032A	31-33	29	d + 12	7.5
V-035A	33-36	31	d + 12	7.5
V-038A	36-38	34	d + 12	7.5
V-040A	38-43	36	d + 12	9
V-040S	38-43	36	d + 12	13
V-045A	43-48	40	d + 15	9
V-045S	43-48	40	d + 15	13
V-050A	48-53	45	d + 15	9
V-055A	53-58	49	d + 15	9
V-055S	53-58	49	d + 15	13
V-060A	58-63	54	d + 15	9
V-065A	63-68	58	d + 15	9
V-065S	63-68	58	d + 15	13
V-070A	68-73	63	d + 18	11
V-075A	73-78	67	d + 18	11
V-080A	78-83	72	d + 18	11
V-085A	83-88	76	d + 18	11
V-090A	88-93	81	d + 18	11
V-095A	93-98	85	d + 18	11

Part Number	Rod Dia. d	Seal ID	OD Min D	Total Height L
V-100A	98-105	90	d + 18	11
V-100S	98-105	90	d + 18	15.5
V-110A	105-115	99	d + 21	12.8
V-120A	115-125	108	d + 21	12.8
V-130A	125-135	117	d + 21	12.8
V-130S	125-135	117	d + 21	20.5
V-140A	135-145	126	d + 21	12.8
V-150A	145-155	135	d + 21	12.8
V-160A	155-165	144	d + 24	14.5
V-160S	155-165	144	d + 24	20.5
V-170A	165-175	153	d + 24	14.5
V-170L	165-175	153	d + 20	10.5
V-180A	175-185	162	d + 24	14.5
V-190A	185-195	171	d + 24	14.5
V-190L	185-195	171	d + 20	10.5
V-200A	190-210	180	d + 45	25
V-220A	210-235	198	d + 45	25
V-220L	210-235	198	d + 20	10.5
V-250A	235-265	225	d + 45	25
V-250L	235-265	225	d + 20	10.5
V-275A	265-290	247	d + 45	25
V-300A	290-310	270	d + 45	25
V-325A	310-335	292	d + 45	25
V-350A	335-365	315	d + 45	25
V-350L	335-365	315	d + 20	25
V-450A	435-480	405	d + 45	25