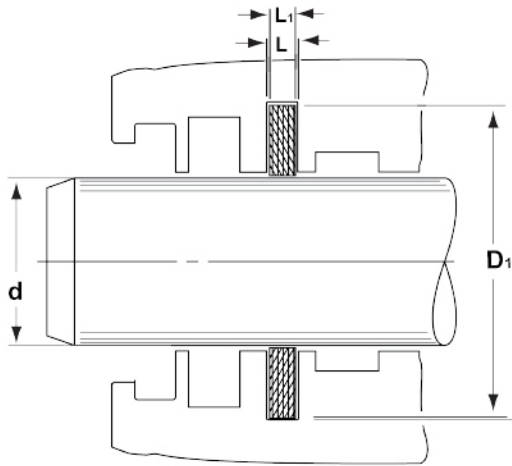


# Rectangular Buffer Rings - Inch



These buffer rings are rectangular shaped in profile. They are most commonly used in combination with a U-cup as a rod seal. Their purpose is to protect the rod seal from contaminants as well as to apply a hydraulic "load" to the U-cup. Some of these rings are used as a backup ring combined with a rubber sealing ring in suspension cylinder applications. Part numbers starting with a G are used in Case® equipment; the others are typically used in Caterpillar® equipment.

Temperature: -40°F to 225°F      Pressure: 0 to 5,000 PSI

**ALTERNATIVE SEALS:** CBR, CTB, CAT STEPPED BUFFER SEALS, AS2 BUFFER SEALS

## OEM NUMBERING SYSTEM

| Part Number | Rod Dia. d | Seal C/S F | Seal O.D. D <sub>1</sub> | Seal Height L <sub>1</sub> | Material | Price |
|-------------|------------|------------|--------------------------|----------------------------|----------|-------|
| G109092     | 1.250      | 0.253      | 1.756                    | 0.117                      | URE      |       |
| 9J3497      | 1.250      | 0.285      | 1.820                    | 0.117                      | URE      |       |
| G109093     | 1.500      | 0.253      | 2.006                    | 0.117                      | URE      |       |
| 6J9733      | 1.500      | 0.285      | 2.070                    | 0.117                      | URE      |       |
| G109094     | 1.750      | 0.251      | 2.252                    | 0.117                      | URE      |       |
| 6J9178      | 1.750      | 0.285      | 2.320                    | 0.117                      | URE      |       |
| 4T6778      | 1.875      | 0.200      | 2.275                    | 0.113                      | URE      |       |
| G107997     | 2.000      | 0.258      | 2.516                    | 0.115                      | URE      |       |
| 6J6917      | 2.000      | 0.285      | 2.570                    | 0.117                      | URE      |       |
| 4T6127      | 2.125      | 0.268      | 2.661                    | 0.113                      | URE      |       |
| G109086     | 2.250      | 0.312      | 2.874                    | 0.187                      | URE      |       |
| 5J3616      | 2.250      | 0.340      | 2.930                    | 0.187                      | URE      |       |
| 6J6916      | 2.375      | 0.340      | 3.055                    | 0.187                      | URE      |       |
| G107998     | 2.500      | 0.340      | 3.180                    | 0.187                      | URE      |       |
| 5J3620      | 2.500      | 0.340      | 3.180                    | 0.187                      | URE      |       |
| 8J9454      | 2.500      | 0.325      | 3.150                    | 0.187                      | NBR      |       |
| 1U4020      | 2.625      | 0.340      | 3.305                    | 0.187                      | URE      |       |
| G107999     | 2.750      | 0.340      | 3.430                    | 0.187                      | URE      |       |
| 6J6553      | 2.750      | 0.340      | 3.430                    | 0.187                      | URE      |       |
| G109015     | 3.000      | 0.310      | 3.620                    | 0.187                      | URE      |       |
| 6J6915      | 3.000      | 0.342      | 3.684                    | 0.187                      | URE      |       |
| 6J7167      | 3.250      | 0.340      | 3.930                    | 0.187                      | URE      |       |
| 6J6736      | 3.500      | 0.343      | 4.186                    | 0.187                      | URE      |       |
| 8J6070      | 3.750      | 0.340      | 4.430                    | 0.187                      | URE      |       |
| 7J3863      | 4.000      | 0.367      | 4.734                    | 0.183                      | NBR      |       |
| 7J3864      | 4.000      | 0.358      | 4.716                    | 0.168                      | URE      |       |
| 8J4627      | 4.000      | 0.340      | 4.680                    | 0.187                      | URE      |       |
| 7J8943      | 4.250      | 0.506      | 5.262                    | 0.219                      | URE      |       |
| 3G5055      | 4.375      | 0.437      | 5.249                    | 0.220                      | URE      |       |
| 7J9257      | 4.750      | 0.500      | 5.750                    | 0.220                      | URE      |       |
| 8J4509      | 5.000      | 0.504      | 6.008                    | 0.219                      | URE      |       |
| 9J2548      | 5.000      | 0.353      | 5.706                    | 0.166                      | URE      |       |
| 4T5717      | 5.250      | 0.504      | 6.258                    | 0.220                      | URE      |       |
| 8J9450      | 5.500      | 0.353      | 6.206                    | 0.166                      | URE      |       |
| 8J9449      | 5.500      | 0.367      | 6.234                    | 0.183                      | NBR      |       |
| 9J5468      | 5.750      | 0.495      | 6.740                    | 0.219                      | URE      |       |
| 7J3866      | 6.125      | 0.351      | 6.827                    | 0.169                      | URE      |       |
| 6J8631      | 6.500      | 0.523      | 7.546                    | 0.217                      | URE      |       |
| 5J1731      | 7.000      | 0.352      | 7.704                    | 0.167                      | URE      |       |
| 4T4804      | 7.250      | 0.370      | 7.990                    | 0.170                      | URE      |       |
| 7J3867      | 7.500      | 0.351      | 8.202                    | 0.169                      | URE      |       |
| 7J3868      | 7.500      | 0.368      | 8.236                    | 0.185                      | NBR      |       |
| 8J9916      | 8.500      | 0.351      | 9.202                    | 0.165                      | URE      |       |
| 8J9933      | 8.500      | 0.370      | 9.240                    | 0.185                      | NBR      |       |
| 6J7693      | 9.000      | 0.351      | 9.702                    | 0.170                      | URE      |       |
| 4T4806      | 10.500     | 0.380      | 11.260                   | 0.183                      | NBR      |       |
| 4T4807      | 10.500     | 0.360      | 11.220                   | 0.170                      | URE      |       |

**We do not imply that these seals are a product of Cat® or Case®.  
Part numbers are used for reference purposes only.**