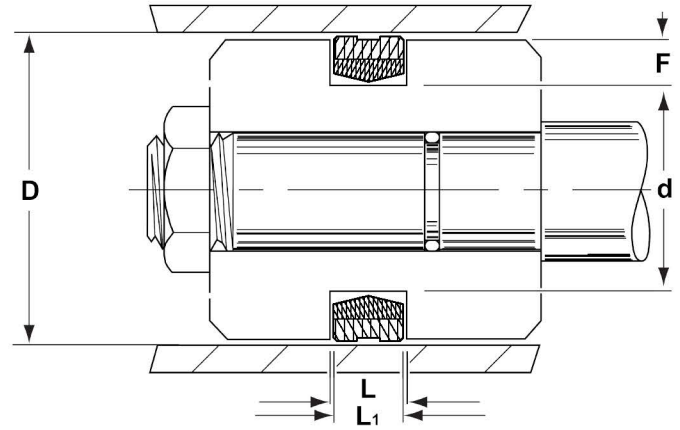
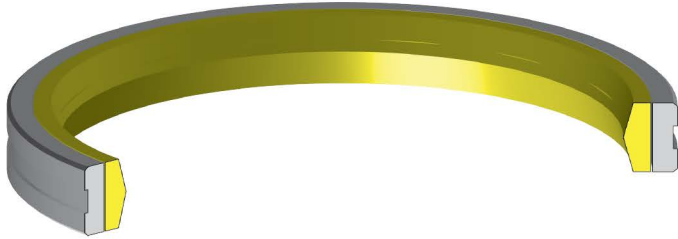


Urethane Uni-Ring Seals - Inch



ALTERNATIVE SEALS: T-Seal, CP, PSP

EXAMPLE: 12-216-204-312				
Prefix	Bore Diameter		Groove Diameter	Seal Height
12-	216	-	204	- 312
	2 1/2"		2 1/8"	5/16"

OD: 1ST DIGIT IS WHOLE # NEXT 2 DIVIDE BY 32
 Example: (2) (16/32) = 2 1/2

ID: 1ST DIGIT IS WHOLE # NEXT 2 DIVIDE BY 32
 Example: (2) (04/32) = 2 1/8

Uni-rings seals are a one pc. double acting piston seal made from 2 different durometers of urethane bonded together. The outer surface is impregnated with molybdenum disulfide (for decreasing friction) and contains a groove to hold lubricant. Some of these seals will retrofit into T-seal and wide base T-seal grooves.

Pressure: 0 to 5,000 PSI

Part No.	Bore Diameter +0.004/-0 D	Groove Diameter +0/-0.004 d	Seal Height L ₁	Groove Height +0.004/-0 L	
12-100-024-187	1.000	0.750	0.187	0.196	
12-112-100-250	1.375	1.000	0.250	0.263	
12-116-100-375	1.500	1.000	0.375	0.394	
12-124-108-375	1.750	1.250	0.375	0.394	
12-124-112-250	1.750	1.375	0.250	0.263	
12-200-116-375	2.000	1.500	0.375	0.394	
12-200-120-312	2.000	1.625	0.312	0.328	
12-208-128-312	2.250	1.875	0.312	0.328	
12-216-200-375	2.500	2.000	0.375	0.394	
12-216-204-312	2.500	2.125	0.312	0.328	
12-216-204-375	2.500	2.125	0.375	0.394	
12-224-212-312	2.750	2.375	0.312	0.328	
12-228-216-312	2.875	2.500	0.312	0.328	
12-300-216-375	3.000	2.500	0.375	0.394	
12-300-220-312	3.000	2.625	0.312	0.328	
12-300-220-375	3.000	2.625	0.375	0.394	
12-308-280-312	3.250	2.875	0.312	0.328	
12-316-300-375	3.500	3.000	0.375	0.394	
12-316-304-312	3.500	3.125	0.312	0.328	
12-400-316-375	4.000	3.500	0.375	0.394	
12-400-320-375	4.000	3.625	0.375	0.394	
12-416-400-375	4.500	4.000	0.375	0.394	
12-500-416-375	5.000	4.500	0.375	0.394	
12-500-416-562	5.000	4.500	0.562	0.591	