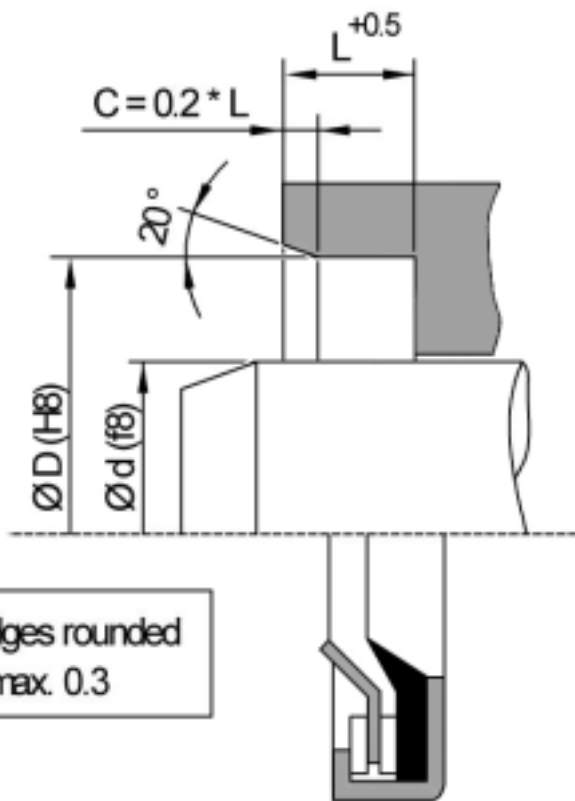


SC Wiper / Scraper



The SC style wiper / scraper consists of a self-aligning brass scraper and a nitrile wiping lip assembled together and securely clamped into a steel shell.

This scraper removes sticky and abrasive contaminants such as ice, mud, and tar from cylinder rods, while the nitrile lip removes water, dust, and other abrasive matter too small to be blocked by the scraper.

Temperature: -40° to 250°F.

SC Wipers / Scrapers

Part Number	Rod Dia. d	Outside Dia. D	Base Height L ₁	Price
504260	0.500	1.000	0.281	\$11.36
504261	0.625	1.125	0.281	\$11.89
504262	0.750	1.250	0.281	\$11.69
504263	0.875	1.375	0.281	\$15.32
504264	1.000	1.500	0.281	\$12.55
504265	1.125	1.625	0.281	\$14.79
504266	1.250	1.750	0.281	\$16.78
504267	1.375	1.875	0.281	\$17.14
504268	1.500	2.000	0.281	\$18.35
504269	1.625	2.125	0.281	\$25.84
509543	1.687	2.183	0.312	\$20.32
504270	1.750	2.250	0.281	\$19.41
504271	1.875	2.375	0.281	\$20.98
504272	2.000	2.500	0.281	\$20.75

Part Number	Rod Dia. d	Outside Dia. D	Base Height L ₁	Price
504273	2.000	2.625	0.281	\$22.34
504275	2.250	2.750	0.281	\$24.08
504277	2.500	3.000	0.281	\$24.78
505774	2.500	3.125	0.281	\$26.87
504279	2.750	3.250	0.281	\$26.87
504281	3.000	3.500	0.281	\$29.67
504283	3.250	3.875	0.328	\$37.40
504285	3.500	4.125	0.328	\$37.53
504287	3.750	4.375	0.328	\$41.59
504289	4.000	4.625	0.328	\$45.29
504291	4.250	4.875	0.328	\$76.22
504293	4.500	5.125	0.328	\$75.49
504297	5.500	6.125	0.359	\$110.66