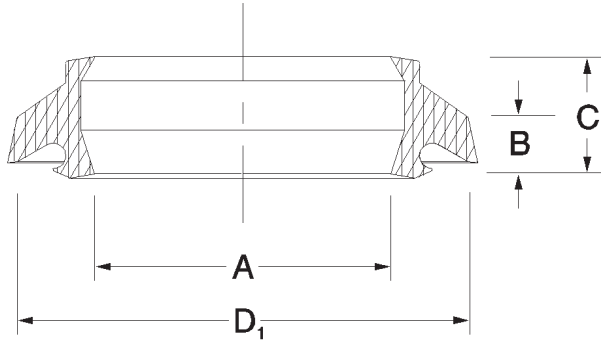


ORK Type Urethane Wipers



Used mainly in fork lift applications, these double lip wipers when used with an O-ring garter provide good low pressure sealing in vented single acting applications.

Temperature: -65 to 200F

Part Number	OEM Ref.	Rod Dia. A	Outside Dia. D ₁	Base Height B	Overall Height C	Price
994694	605606	1.950	2-9/16	3/16	1/2	P.O.R.
994112	605607	2.200	2-13/16	3/16	1/2	P.O.R.
994113	605609	2.700	3-5/16	3/16	1/2	P.O.R.
	605648	2.825	3-7/16	3/16	1/2	P.O.R.
994114	605610	2.900	3-1/2	3/16	1/2	P.O.R.
994115	605611	3.200	3-13/16	3/16	1/2	P.O.R.
994291	605035	3.690	4-5/16	3/16	1/2	P.O.R.
993387	605613	3.700	4-5/16	3/16	1/2	P.O.R.
994116	605615	4.200	4-13/16	3/16	1/2	P.O.R.
994117	605616	4.400	5	3/16	1/2	P.O.R.
993385	605617	4.700	5-5/16	3/16	1/2	P.O.R.
996095	605620	5.450	6-1/16	3/16	1/2	P.O.R.
996514	624452	6.075	6-11/16	3/16	1/2	P.O.R.