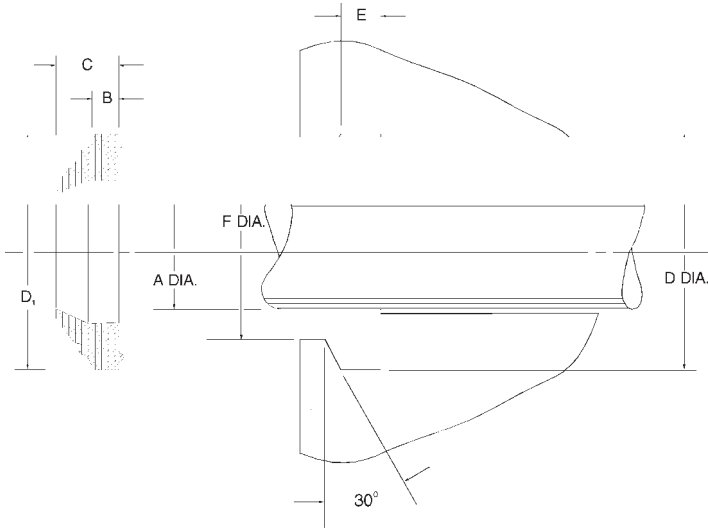


# KB Type Urethane Wipers



KB style wipers resemble a K type wiper but with a single lip and a heavier base. They do not interchange grooves. Standard material is 94 durometer polyurethane.

Temperature: -65 to 200F

Part No.	Wiper Dimensions		Groove Dimensions			Price
	Rod Dia. A	Outside Dia. D <sub>1</sub>	D ± .005	E ± .005	F ± .005	
<b>KB-1000</b>	1.000	1-1/2	1.500	.208	1.250	\$ 9.96
<b>KB-1125</b>	1.125	1-5/8	1.625	.208	1.375	\$ 9.96
<b>KB-1250</b>	1.250	1-3/4	1.750	.208	1.500	\$ 10.64
<b>KB-1500</b>	1.500	2	2.000	.208	1.750	\$ 11.33
<b>KB-1750</b>	1.750	2-1/4	2.250	.208	2.000	\$ 12.02
<b>KB-2000</b>	2.000	2-1/2	2.500	.208	2.250	\$ 13.40
<b>KB-2125</b>	2.125	2-5/8	2.625	.208	2.375	\$ 14.43

KB style wipers are also available in nitrile. Please consult sales for pricing and availability.

Temperature: -22 to 212F

7580 / KB Wipers