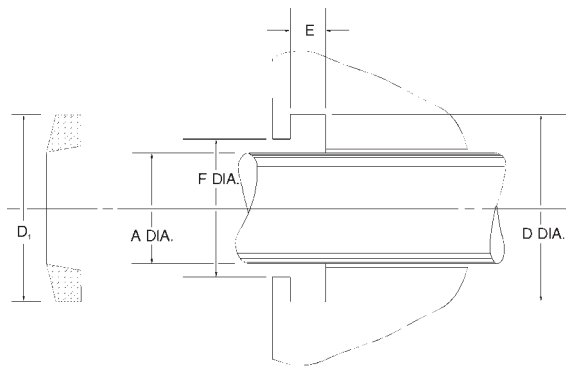


ASC Type Urethane



ASC style wipers are normally found in lighter duty applications for reciprocating rods. Standard material is 94 durometer polyurethane but may also be supplied in 90 durometer nitrile.

Temperature: -40 to 230F

Part No.	Wiper Dimensions		Groove Dimensions			Material	Price
	Rod Dia. A	Outside Dia. D ₁	D ±.005	E ±.010	F ±.005		
ASC-1N	0.500	0.680	0.680	.130	0.560	Nitrile	\$ 6.80
ASC-3N	0.625	0.820	0.820	.140	0.700	Nitrile	\$ 6.80
ASC-5	0.750	0.950	0.950	.140	0.820	Urethane	\$ 5.68
ASC-5N	0.750	0.950	0.950	.140	0.820	Nitrile	\$ 7.02
ASC-7	0.875	1.075	1.075	.150	0.950	Urethane	\$ 5.73
ASC-7N	0.875	1.075	1.075	.150	0.950	Nitrile	\$ 7.52
ASC-9	1.000	1.240	1.240	.160	1.080	Urethane	\$ 6.06
ASC-9N	1.000	1.240	1.240	.160	1.080	Nitrile	\$ 7.52
ASC-11	1.125	1.360	1.360	.160	1.210	Urethane	\$ 6.41
ASC-11N	1.125	1.360	1.360	.160	1.210	Nitrile	\$ 7.65
ASC-13	1.250	1.475	1.475	.170	1.330	Urethane	\$ 7.42
ASC-13N	1.250	1.475	1.475	.170	1.330	Nitrile	\$ 7.65
ASC-15N	1.375	1.625	1.625	.170	1.460	Nitrile	\$ 8.19
ASC-17	1.500	1.770	1.770	.180	1.590	Urethane	\$ 8.24
ASC-17N	1.500	1.770	1.770	.180	1.590	Nitrile	\$ 8.91
ASC-21	1.750	2.030	2.030	.190	1.850	Urethane	\$ 8.42
ASC-21N	1.750	2.030	2.030	.190	1.850	Nitrile	\$ 9.14
ASC-25	2.000	2.300	2.300	.200	2.100	Urethane	\$ 9.78
ASC-25N	2.000	2.300	2.300	.200	2.100	Nitrile	\$ 9.78
ASC-26	2.125	2.430	2.430	.210	2.230	Urethane	\$ 10.44
ASC-26N	2.125	2.430	2.430	.210	2.230	Nitrile	\$ 10.44
ASC-27N	2.250	2.570	2.570	.210	2.360	Nitrile	\$ 10.60
ASC-28	2.375	2.700	2.700	.220	2.490	Urethane	\$ 10.78
ASC-28N	2.375	2.700	2.700	.220	2.490	Nitrile	\$ 10.78
ASC-31N	2.750	3.102	3.102	.230	2.850	Nitrile	\$ 11.03
ASC-33	3.000	3.380	3.380	.240	3.130	Urethane	\$ 11.12
ASC-33N	3.000	3.380	3.380	.240	3.130	Nitrile	\$ 11.25
ASC-34	3.125	3.510	3.510	.250	3.260	Urethane	\$ 12.13
ASC-34N	3.125	3.510	3.510	.250	3.260	Nitrile	\$ 12.13
ASC-35N	3.250	3.646	3.646	.250	3.390	Nitrile	\$ 12.90
ASC-37N	3.500	3.920	3.920	.270	3.640	Nitrile	\$ 13.83