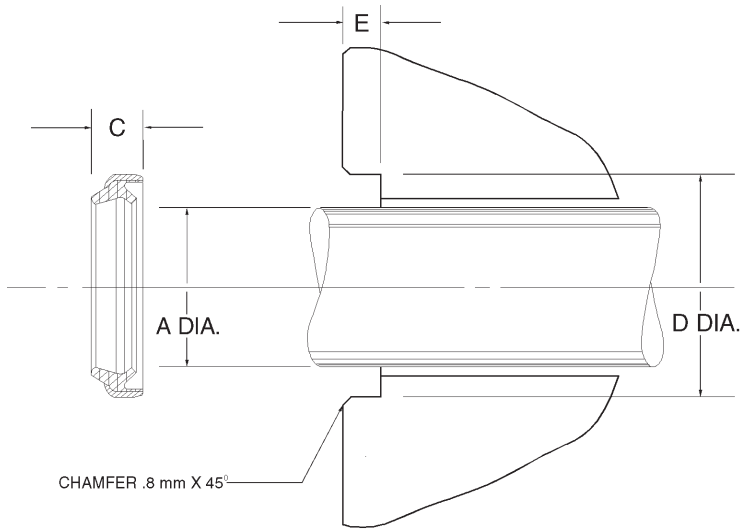


AMH Type Metric Wipers



AMH wipers are available in metric sizes only. They consist of a corrosive resistant carbon steel shell chemically bonded to a 90 durometer shore A polyurethane. The double lip design works very well at keeping dirt and contaminants out as well as excess oil in. This design is used extensively in Japanese heavy equipment and mobile hydraulics.

Temperature: -40 to 230F

AMH Wipers

Part Number		Groove Dimensions					Overall Height C mm	Price
Prefix	Rod Diameter A mm	Bore		Groove Depth				
		D mm H8	X	E mm +0.4/+0.6	X			
AMH	- 20	X	32	X	6	X	9	\$8.73
AMH	- 22	X	34	X	6	X	9	\$9.16
AMH	- 25	X	37	X	6	X	9	\$9.29
AMH	- 30	X	42	X	6	X	9	\$10.15
AMH	- 32	X	52	X	8	X	11	\$14.21
AMH	- 35	X	47	X	7	X	10	\$11.07
AMH	- 40	X	52	X	7	X	10	\$11.99
AMH	- 45	X	57	X	7	X	10	\$12.79
AMH	- 50	X	62	X	7	X	10	\$13.10
AMH	- 55	X	63	X	7	X	10	\$17.90
AMH	- 55	X	69	X	8	X	11	\$14.45
AMH	- 56	X	66	X	5	X	8	\$11.62
AMH	- 60	X	74	X	8	X	11	\$15.38
AMH	- 65	X	79	X	8	X	11	\$16.67
AMH	- 70	X	80	X	7	X	10	\$16.30
AMH	- 70	X	84	X	8	X	11	\$17.84
AMH	- 75	X	89	X	8	X	11	\$19.80
AMH	- 80	X	94	X	8	X	11	\$21.83
AMH	- 85	X	99	X	8	X	11	\$23.92

Part Number		Groove Dimensions					Overall Height C mm	Price
Prefix	Rod Diameter A mm	Bore		Groove Depth				
		D mm H8	X	E mm +0.4/+0.6	X			
AMH	- 90	X	104	X	8	X	11	\$25.52
AMH	- 95	X	109	X	8	X	11	\$27.31
AMH	- 100	X	114	X	8	X	11	\$29.40
AMH	- 105	X	121	X	9	X	12	\$34.13
AMH	- 110	X	126	X	9	X	12	\$35.67
AMH	- 115	X	131	X	9	X	12	\$39.05
AMH	- 120	X	136	X	9	X	12	\$39.36
AMH	- 125	X	141	X	9	X	12	\$42.31
AMH	- 130	X	146	X	9	X	12	\$42.74
AMH	- 135	X	155	X	10	X	14	\$65.13
AMH	- 140	X	160	X	10	X	14	\$62.98
AMH	- 145	X	165	X	10	X	14	\$70.54
AMH	- 150	X	170	X	10	X	14	\$71.16
AMH	- 155	X	175	X	10	X	14	\$73.31
AMH	- 160	X	180	X	10	X	14	\$75.95
AMH	- 170	X	190	X	10	X	14	\$79.83
AMH	- 175	X	195	X	10	X	14	\$84.19
AMH	- 180	X	200	X	10	X	14	\$144.46