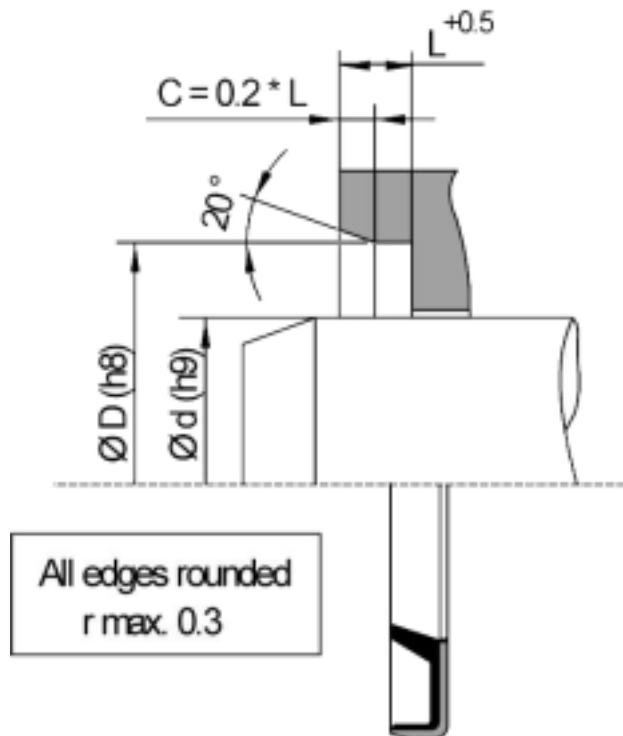


AM47 Type Pin Wipers



This listing of AM47 style seals cover the most popular Link Pin Seal sizes found on European equipment. They are made from 90 durometer nitrile bonded to a corrosive-resistant steel can.

Temperature: -40 to 230F

Part Number	Rod Dia. d	Bore D	Base Height L ₁	Price
AM47-5X9X2	5	9	2	\$ 3.75
AM47-6X10X2	6	10	2	\$ 3.75
AM47-6X12X2	6	12	2	\$ 4.13
AM47-8X12X2	8	12	3	\$ 4.13
AM47-8X15X3	8	15	3	\$ 4.50
AM47-10X14X3	10	14	3	\$ 4.50
AM47-10X17X3	10	17	3	\$ 4.50
AM47-12X16X3	12	16	3	\$ 4.50
AM47-12X18X3	12	18	3	\$ 4.88
AM47-12X19X3	12	19	3	\$ 4.50
AM47-14X20X3	14	20	3	\$ 4.50
AM47-15X23X3	15	23	3	\$ 5.26
AM47-16X24X3	16	24	3	\$ 6.38
AM47-20X26X4	20	26	4	\$ 5.26
AM47-22X28X4	22	28	4	\$ 5.26
AM47-22X30X4	22	30	4	\$ 5.26
AM47-25X32X4	25	32	4	\$ 5.26
AM47-25X33X4	25	33	4	\$ 5.26
AM47-25X35X4	25	35	4	\$ 5.26
AM47-28X35X4	28	35	4	\$ 6.38
AM47-28X37X4	28	37	4	\$ 6.38
AM47-30X35X4	30	35	4	\$ 6.76
AM47-30X37X4	30	37	4	\$ 6.76
AM47-30X40X4	30	40	4	\$ 5.63

Part Number	Rod Dia. d	Bore D	Base Height L ₁	Price
AM47-32X42X4	32	42	4	\$ 6.76
AM47-35X42X4	35	42	4	\$ 6.76
AM47-35X45X4	35	45	4	\$ 5.63
AM47-38X48X4	38	48	4	\$ 5.63
AM47-40X47X4	40	47	4	\$ 6.76
AM47-40X50X4	40	50	4	\$ 5.63
AM47-42X52X4	42	52	4	\$ 6.76
AM47-45X55X4	45	55	4	\$ 5.94
AM47-45X60X4	45	60	4	\$ 8.32
AM47-50X58X4	50	58	4	\$ 8.32
AM47-50X60X4	50	60	4	\$ 7.13
AM47-50X62X5	50	62	5	\$ 9.20
AM47-50X65X4	50	65	4	\$ 8.32
AM47-52X68X6	52	68	6	\$ 8.76
AM47-55X63X5	55	63	5	\$ 9.20
AM47-55X70X4	55	70	4	\$ 7.88
AM47-60X75X4	60	75	4	\$ 7.88
AM47-65X80X4	65	80	4	\$ 9.63
AM47-70X85X4	70	85	4	\$ 8.26
AM47-75X90X4	75	90	4	\$ 10.14
AM47-80X95X4	80	95	4	\$ 11.64
AM47-90X105X4	90	105	4	\$ 13.14
AM47-100X115X4	100	115	4	\$ 15.77
AM47-110X125X4	110	125	4	\$ 19.27