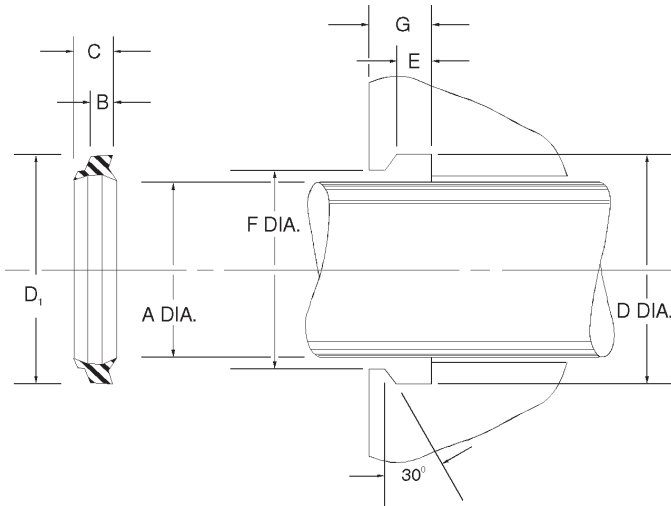


7580 Type Double Lip Nitrile Wipers



7580 type double lip wiper seal rings are one piece snap-in rod wipers made from 80 durometer nitrile. They fit grooves with a 30° tapered top surface. As the external lip scrapes dust and dirt from the rod, the secondary lip traps slight leakage that may pass the rod seal.

Temperature: -40 to 250F

Part Number	Wiper Dimensions		Groove Dimensions (in.)				Price
	Rod Dia. A	Outside Dia. D ₁	D	E	F	G	
			+0.005 -0.000	+0.005 -0.000	+0.005 -0.000	+0.005 -0.000	
7580-00840	0.500	3/4	0.760	.155	0.621	0.250	\$ 3.13
7580-01260	0.750	1-1/8	1.135	.195	0.827	0.345	\$ 3.23
7580-10060	1.000	1-3/8	1.385	.195	1.077	0.345	\$ 3.34
7580-10460	1.250	1-5/8	1.635	.195	1.327	0.345	\$ 3.75
7580-10860	1.500	1-7/8	1.885	.195	1.577	0.345	\$ 4.27
7580-11260	1.750	2-1/8	2.135	.195	1.827	0.345	\$ 4.56
7580-11560	1.937	2-5/16	2.322	.195	2.014	0.345	\$ 4.71
7580-20060	2.000	2-3/8	2.385	.195	2.077	0.345	\$ 4.80
7580-20481	2.210	2.710	2.720	.255	2.362	0.443	\$ 10.82
7580-20460	2.250	2-5/8	2.635	.195	2.327	0.345	\$ 5.04
7580-20781	2.437	3	3.010	.286	2.633	0.468	\$ 5.32
7580-20880	2.450	3	3.010	.286	2.646	0.468	\$ 5.32
7580-20881	2.500	3	3.010	.255	2.652	0.443	\$ 5.32
7580-20860	2.500	2-7/8	2.885	.195	2.577	0.345	\$ 5.32
7580-21081	2.625	3-1/8	3.135	.255	2.777	0.443	\$ 6.88
7580-21281	2.750	3-1/4	3.260	.255	2.902	0.443	\$ 7.09
7580-30080	2.950	3-1/2	3.510	.286	3.126	0.468	\$ 6.72
7580-30061	2.980	3.355	3.365	.195	3.057	0.345	\$ 6.72
7580-30381	3.165	3.734	3.744	.255	3.317	0.443	\$ 8.90
7580-30880	3.450	4	4.010	.280	3.646	0.463	\$ 8.49
7580-30862	3.500	3-7/8	3.885	.195	3.577	0.345	\$ 8.49
7580-40080	3.950	4-1/2	4.510	.280	4.146	0.463	\$ 9.37
7580-40081	4.000	4-1/2	4.510	.255	4.152	0.443	\$ 9.37
7580-40880	4.450	5	5.010	.280	4.646	0.463	\$ 14.91
7580-40881	4.500	5	5.010	.255	4.652	0.443	\$ 9.60
7580-41280	4.700	5-1/4	5.260	.280	4.896	0.463	\$ 10.00
7580-41581	4.925	5.489	5.499	.286	5.121	0.468	\$ 15.11
7580-51280	5.700	6-1/4	6.260	.280	5.896	0.463	\$ 12.66
7580-80080	7.950	8-1/2	8.510	.280	8.146	0.463	\$ 16.00
7580-80081	8.000	8-1/2	8.510	.255	8.152	0.443	\$ 16.00