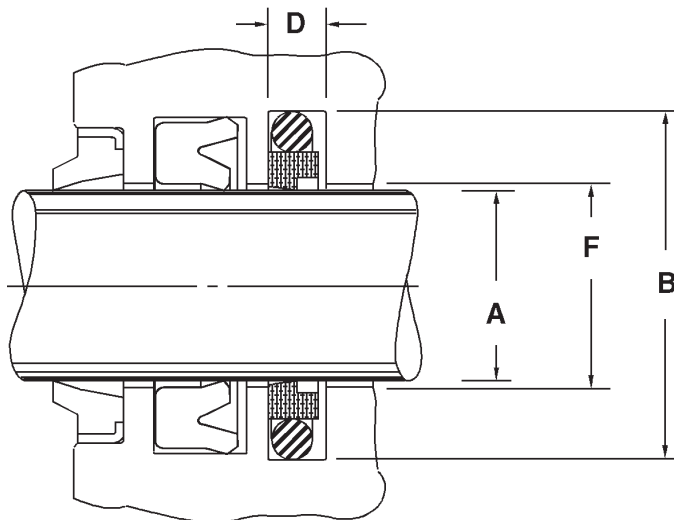


# Stepped TFE Buffer Rings - Metric



Stepped seals are used to "buffer" pressure spikes from the primary rod seal, and are sometimes used in tandem. Combined with an unloaded u-cup, pressure builds between the step seal and primary seal and helps "load" the u-cup. Seals are machined from bronze filled teflon. Expanders are 70 durometer high memory nitrile, also available with viton expander rings.

Temperature: -40F to 225F

Pressure: 0 to 3500 psi

Teflon Buffer Rings - Metric

Part Number	Rod Dia. A mm	Groove Dia. B mm	Groove Width D mm	Price
AS231E-8MMB	8	15.3	3.2	\$ 9.96
AS231E-10MMB	10	17.3	3.2	\$ 10.90
AS231E-12MMB	12	19.3	3.2	\$ 11.10
AS231E-14MMB	14	21.3	3.2	\$ 11.35
AS231E-15MMB	15	22.3	3.2	\$ 11.35
AS231E-16MMB	16	23.3	3.2	\$ 11.35
AS231E-18MMB	18	25.3	3.2	\$ 11.40
AS231E-20MMB	20	27.5	3.2	\$ 11.45
AS235E-20MMB	20	30.7	4.2	\$ 11.49
AS235E-22MMB	22	32.7	4.2	\$ 11.49
AS231E-25MMB	25	32.5	3.2	\$ 11.49
AS235E-25MMB	25	35.7	4.2	\$ 11.49
AS231E-28MMB	28	35.5	3.2	\$ 13.09
AS235E-28MMB	28	38.7	4.2	\$ 13.67
AS235E-30MMB	30	40.7	4.2	\$ 14.70
AS231E-32MMB	32	39.5	3.2	\$ 14.99
AS235E-32MMB	32	42.7	4.2	\$ 15.12
AS231E-35MMB	35	42.5	3.2	\$ 15.21
AS235E-35MMB	35	45.7	4.2	\$ 15.53
AS235E-36MMB	36	46.7	4.2	\$ 16.82
AS235E-40MMB	40	50.7	4.2	\$ 17.03
AS239E-40MMB	40	55.5	6.3	\$ 14.75
AS235E-42MMB	42	52.7	4.2	\$ 17.80
AS239E-42MMB	42	57.5	6.3	\$ 17.85
AS235E-45MMB	45	55.7	4.2	\$ 17.28
AS239E-45MMB	45	60.5	6.3	\$ 17.92
AS239E-48MMB	48	63.5	6.3	\$ 17.95
AS235E-50MMB	50	60.7	4.2	\$ 17.61
AS239E-50MMB	50	65.5	6.3	\$ 17.95
AS239E-52MMB	52	67.5	6.3	\$ 18.87
AS235E-55MMB	55	65.7	4.2	\$ 17.76
AS239E-55MMB	55	70.5	6.3	\$ 18.12
AS235E-56MMB	56	66.7	4.2	\$ 18.04
AS239E-56MMB	56	71.5	6.3	\$ 18.84
AS235E-60MMB	60	70.7	4.2	\$ 18.95

Part Number	Rod Dia. A mm	Groove Dia. B mm	Groove Width D mm	Price
AS239E-60MMB	60	75.5	6.3	\$ 18.95
AS235E-63MMB	63	73.7	4.2	\$ 20.92
AS239E-63MMB	63	78.5	6.3	\$ 20.92
AS235E-65MMB	65	75.7	4.2	\$ 20.99
AS239E-65MMB	65	80.5	6.3	\$ 20.99
AS239E-70MMB	70	85.5	6.3	\$ 23.50
AS239E-75MMB	75	90.5	6.3	\$ 25.34
AS235E-80MMB	80	90.7	4.2	\$ 25.20
AS239E-80MMB	80	95.5	6.3	\$ 25.71
AS239E-85MMB	85	100.5	6.3	\$ 29.39
AS241E-85MMB	85	106	8.1	\$ 45.61
AS239E-90MMB	90	105.5	6.3	\$ 30.08
AS239E-95MMB	95	110.5	6.3	\$ 30.54
AS239E-97MMB	97	112.5	6.3	\$ 38.55
AS239E-100MMB	100	115.5	6.3	\$ 32.18
AS239E-105MMB	105	120.5	6.3	\$ 32.48
AS239E-110MMB	110	125.5	6.3	\$ 33.67
AS241E-110MMB	110	131	8.1	\$ 55.41
AS239E-115MMB	115	130.5	6.3	\$ 33.97
AS239E-120MMB	120	135.5	6.3	\$ 34.26
AS241E-120MMB	120	141	8.1	\$ 71.06
AS239E-125MMB	125	140.5	6.3	\$ 34.81
AS239E-130MMB	130	145.5	6.3	\$ 35.47
AS239E-135MMB	135	150.5	6.3	\$ 38.07
AS239E-140MMB	140	155.5	6.3	\$ 38.07
AS239E-150MMB	150	165.5	6.3	\$ 41.46
AS239E-160MMB	160	175.5	6.3	\$ 43.30
AS241E-160MMB	160	181	8.1	\$ 81.95
AS239E-165MMB	165	180.5	6.3	\$ 44.40
AS239E-170MMB	170	185.5	6.3	\$ 45.53
AS239E-175MMB	175	190.5	6.3	\$ 52.73
AS239E-180MMB	180	195.5	6.3	\$ 67.89
AS239E-190MMB	190	205.5	6.3	\$ 77.31
AS241E-200MMB	200	221	8.1	\$ 91.86