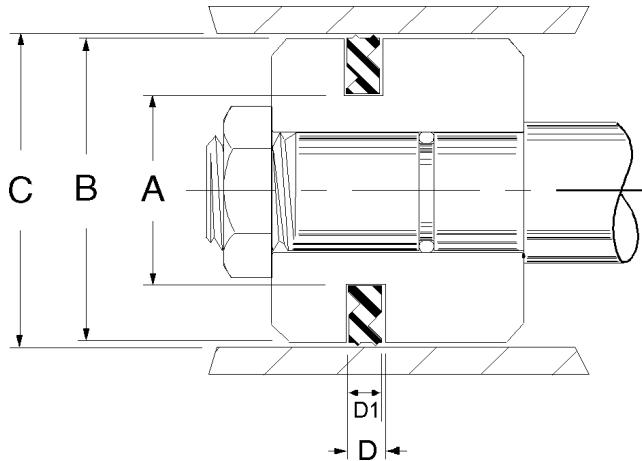
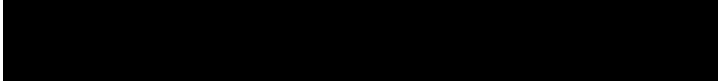


PZ Metric Piston Seals



Profile PZ pneumatic seals are molded from 70 durometer nitrile and designed for use in double-acting cylinder and valve applications. Easy installation into small housings allows for short piston length. Low friction is obtained because of the two micro-sealing edges with a grease deposit in between.

Temperature: -40 to 210°F

Pressure: 0 to 176 PSI

Prefix	Part Number			D1 Seal Width m m	D Groove Width m m	Price
	C Bore Dia. m m H 9	A Groove Dia. m m B				
PZ -	20	X 13	X	2.1	X 2.5	\$ 6.56
PZ -	25	X 18	X	2.1	X 2.5	\$ 6.75
PZ -	30	X 21	X	2.5	X 3	\$ 9.97
PZ -	40	X 31	X	2.5	X 3	\$ 7.81
PZ -	50	X 41	X	2.5	X 3	\$ 7.92
PZ -	63	X 51	X	3.4	X 4	\$ 8.46
PZ -	80	X 68	X	3.4	X 4	\$ 10.89
PZ -	100	X 88	X	3.4	X 4	\$ 15.21
PZ -	125	X 110	X	4.4	X 5	\$ 27.94

* Non-Stock Items - May require larger minimums.

Questions?

The Answer is Only a Toll-Free Phone Call Away.