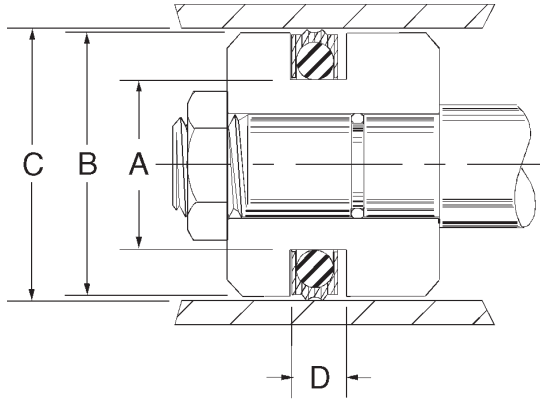
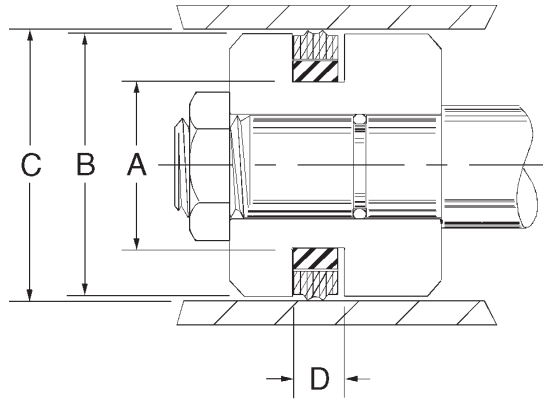


# PSP Piston Seals



**Standard Type**



**"A" Type**

PSP seals are bi-directional squeeze type piston seals used as direct substitutes for o-rings, T-seals and Cap seals in industrial no-back-up o-ring grooves. The unique geometry of the PSP seal design creates a fluid reservoir between the two level bi-lip sealing surfaces. This feature provides extra lubrication resulting in reduced breakaway and running friction. PSP seals are manufactured from a proprietary low friction urethane, which has excellent abrasion, tear and extrusion resistance. PSP seals provide positive, no drift sealing at a continuous service temperature range from -65 to +220 degrees F, and pressures up to 5000 psi with the recommended groove dimensions and tolerances. Both styles fit the same groove.

Temperature: -65 to 220F

Pressure: 0 to 5,000 PSI

Part No.	C Bore Dia.	B Piston Dia. +.000 / -.001	A Groove Dia. +.000 / -.002	D Groove Width +.005 / -.000	Price
PSP-210	1.000	0.997	0.758	0.187	\$ 4.42
PSP-212	1.125	1.122	0.883	0.187	\$ 4.72
PSP-214	1.250	1.247	1.008	0.187	\$ 5.02
PSP-216	1.375	1.372	1.133	0.187	\$ 5.32
PSP-218	1.500	1.497	1.258	0.187	\$ 5.62
PSP-220	1.625	1.622	1.383	0.187	\$ 6.01
PSP-222	1.750	1.747	1.508	0.187	\$ 6.46
PSP-326	2.000	1.997	1.630	0.281	\$ 7.21
PSP-328	2.250	2.247	1.880	0.281	\$ 8.45
PSP-329	2.375	2.372	2.005	0.281	\$ 9.24
PSP-330	2.500	2.497	2.130	0.281	\$ 9.64
PSP-331	2.625	2.622	2.255	0.281	\$ 10.04
PSP-332	2.750	2.747	2.380	0.281	\$ 10.49
PSP-334	3.000	2.997	2.630	0.281	\$ 11.23
PSP-335	3.125	3.122	2.755	0.281	\$ 12.33
PSP-336	3.250	3.247	2.880	0.281	\$ 12.47
PSP-338	3.500	3.497	3.130	0.281	\$ 13.27
PSP-339	3.625	3.622	3.255	0.281	\$ 13.67
PSP-340	3.750	3.747	3.380	0.281	\$ 14.46
PSP-342	4.000	3.997	3.630	0.281	\$ 16.05
PSP-344	4.250	4.247	3.880	0.281	\$ 18.49
PSP-346	4.500	4.497	4.130	0.281	\$ 20.08
PSP-348	4.750	4.747	4.380	0.281	\$ 22.07
PSP-350	5.002	4.997	4.630	0.281	\$ 24.10
PSP-425	5.002	4.997	4.528	0.375	\$ 25.20
PSP-429	5.502	5.498	5.028	0.375	\$ 29.67
PSP-433	6.002	5.998	5.528	0.375	\$ 34.89
PSP-437	6.502	6.498	6.028	0.375	\$ 38.07
PSP-439	7.002	6.998	6.528	0.375	\$ 40.56

Part No.	C Bore Dia. +.002 / -.000	B Piston Dia. +.000 / -.001	A Groove Dia. +.000 / -.002	D Groove Width +.005 / -.000	Price
PSP-210A	1.000	0.997	0.758	0.187	\$ 3.83
PSP-214A	1.250	1.247	1.008	0.187	\$ 4.32
PSP-218A	1.500	1.497	1.258	0.187	\$ 4.86
PSP-218AT 4300	1.500	1.497	1.258	0.275	\$ 8.10
PSP-222A	1.750	1.747	1.508	0.187	\$ 5.54
PSP-326A	2.000	1.997	1.630	0.281	\$ 6.21
PSP-326AT 4300	2.000	1.997	1.630	0.410	\$11.60
PSP-328A	2.250	2.247	1.880	0.281	\$ 7.24
PSP-330A	2.500	2.497	2.130	0.281	\$ 9.25
PSP-330AT 4300	2.500	2.497	2.130	0.410	\$12.61
PSP-331A	2.625	2.622	2.255	0.281	\$ 8.64
PSP-332A	2.750	2.747	2.380	0.281	\$ 9.00
PSP-334A	3.000	2.997	2.630	0.281	\$11.29
PSP-334AT 4300	3.000	2.997	2.630	0.410	\$15.25
PSP-336A	3.250	3.247	2.880	0.281	\$12.26
PSP-338A	3.500	3.497	3.130	0.281	\$13.08
PSP-338AT 4300	3.500	3.497	3.130	0.410	\$19.65
PSP-339A	3.625	3.622	3.255	0.281	\$13.44
PSP-340A 4300	3.750	3.747	3.380	0.281	\$15.54
PSP-342A	4.000	3.997	3.630	0.281	\$15.86
PSP-342AT 4300	4.000	3.997	3.630	0.410	\$23.01
PSP-344A 4300	4.250	4.247	3.880	0.281	\$17.06
PSP-346A	4.500	4.497	4.130	0.281	\$19.78
PSP-346AT 4300	4.500	4.497	4.130	0.410	\$31.76
PSP-350A 4300	5.002	4.997	4.630	0.281	\$23.74
PSP-425AT 4300	5.002	4.997	4.528	0.538	\$38.45
PSP-429A 4300	5.502	5.498	5.028	0.375	\$29.25
PSP-433A 4300	6.002	5.998	5.528	0.375	\$34.45
PSP-433AT 4300	6.002	5.998	5.528	0.538	\$52.21
PSP-439A 4300	7.002	6.998	6.528	0.375	\$34.69
PSP-439AT 4300	7.002	6.998	6.528	0.538	\$61.34
PSP-443A 4300	8.002	7.998	7.528	0.375	\$36.42