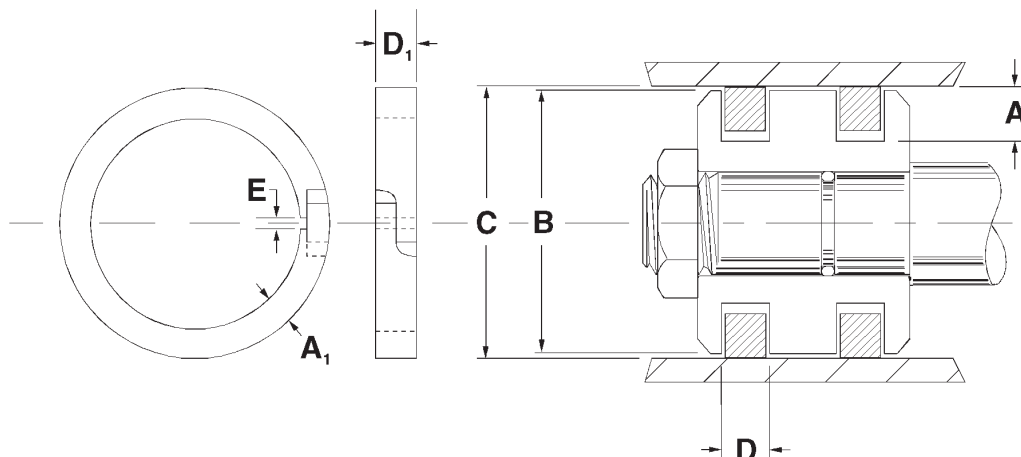


Cast Iron Piston Rings



Cast iron piston rings are used in applications requiring high temperatures, port passing capabilities or high pressure.

Typical applications require at least 3 rings but are sometimes used in conjunction with TFE seals.

Temperature: consult technical service

Pressure: 0 to 10,000 PSI

Cast Iron Piston Rings

Part Number	Bore Dia. C	Ring Width D ₁	Groove Width D +.003 -.000	Max. Wall A ₁	Groove Depth A +.000 -.003	Price
Joint Clearance			.005	/.010		
PR1500093C067P	1.500	3/32	.0940	0.067	0.107	\$ 8.45
PR1500125C067P	1.500	1/8	.1255	0.067	0.107	\$ 7.70
PR1750125C075P	1.750	1/8	.1255	0.075	0.125	\$ 7.70
PR1750155C075P	1.750	.155	.156	.075	0.125	\$ 8.97
PR1874093C075P	1.874	3/32	.094	.075	0.125	\$ 8.97
PR2000093C075P	2.000	3/32	.0940	0.075	0.125	\$ 8.45
PR2000125C075P	2.000	1/8	.1255	0.075	0.125	\$ 7.70
PR2000156C075P	2.000	5/32	.1555	0.075	0.125	\$ 9.30
PR2000187C075P	2.000	3/16	.188	0.075	0.125	\$ 7.35
PR2000250C062P	2.000	1/4	.2505	0.062	0.112	\$ 9.80
PR2000250C075P	2.000	1/4	.2505	0.075	0.125	\$ 9.80
PR2125093C080P	2.125	3/32	.0940	0.080	0.130	\$ 10.43
PR2250093C085P	2.250	3/32	.0940	0.085	0.135	\$ 7.70
PR2250125C085P	2.250	1/8	.1255	0.085	0.135	\$ 7.70
PR2250152C085P	2.250	0.152	.1525	0.085	0.135	\$ 10.47
PR2250187C085P	2.250	3/16	.188	0.085	0.135	\$ 7.35
PR2255121C083P	2.255	0.121	.1215	0.083	0.133	\$ 11.32
PR2260125C085P	2.260	1/8	.1255	0.085	0.135	\$ 11.37
PR2375125C091P	2.375	1/8	.1255	0.091	0.141	\$ 12.41
PR2375187C091P	2.375	3/16	.188	0.091	0.141	\$ 9.30
PR2500093C097P	2.500	3/32	.0940	0.097	0.147	\$ 9.15
PR2500125C097P	2.500	1/8	.1255	0.097	0.147	\$ 7.25
PR2500187C097P	2.500	3/16	.188	0.097	0.147	\$ 7.50
PR2500250C097P	2.500	1/4	.2505	0.097	0.147	\$ 7.95
PR2625125C102P	2.625	1/8	.1255	0.102	0.152	\$ 9.15
PR2625187C102P	2.625	3/16	.188	0.102	0.152	\$ 9.40
PR2750125C106P	2.750	1/8	.1255	0.106	0.156	\$ 7.25
PR2750156C106P	2.750	5/32	.1555	0.106	0.156	\$ 9.40
PR2750187C106P	2.750	3/16	.188	0.106	0.156	\$ 7.50
PR2750250C106P	2.750	1/4	.2505	0.106	0.156	\$ 9.80
PR2770094C106P	2.770	3/32	.0945	0.106	0.156	\$ 12.58
PR2770125C106P	2.770	1/8	.1255	0.106	0.156	\$ 12.76
PR2875187C108P	2.875	3/16	.188	0.108	0.158	\$ 9.40
PR3000093C110P	3.000	3/32	.0940	0.110	0.160	\$ 9.35
PR3000125C110P	3.000	1/8	.1255	0.110	0.160	\$ 7.55
PR3000187C110P	3.000	3/16	.188	0.110	0.160	\$ 7.55
PR3000250C110P	3.000	1/4	.2505	0.110	0.160	\$ 7.80
PR3000312C110P	3.000	5/16	.313	0.110	0.160	\$ 7.42
PR3125187C115P	3.125	3/16	.1880	0.115	0.165	\$ 9.35
PR3187125C117P	3.187	1/8	.1255	0.117	0.167	\$ 9.40

Part Number	Bore Dia. C	Ring Width D ₁	Groove Width D +.003 -.000	Max. Wall A ₁	Groove Depth A +.000 -.003	Price
PR3250125C118P	3.250	1/8	.1255	0.118	0.168	\$ 7.55
PR3250156C147P	3.250	5/32	.1565	0.147	0.197	\$ 9.63
PR3250187C118P	3.250	3/16	.188	0.118	0.168	\$ 7.55
PR3250250C118P	3.250	1/4	.2505	0.118	0.168	\$ 7.80
PR3375125C140P	3.375	1/8	.1255	0.140	0.190	\$ 9.40
PR3375187C124P	3.375	3/16	.188	0.124	0.171	\$ 7.55
PR3500125C124P	3.500	1/8	.1255	0.124	0.176	\$ 10.05
PR3500187C124P	3.500	3/16	.188	0.124	0.176	\$ 7.85
PR3500250C124P	3.500	1/4	.2505	0.124	0.176	\$ 8.15
PR3500312C124P	3.500	5/16	.313	0.124	0.176	\$ 11.35
PR3625187C127P	3.625	3/16	.1880	0.127	0.177	\$ 8.27
PR3750125C130P	3.750	1/8	.1255	0.130	0.185	\$ 10.05
PR3750187C130P	3.750	3/16	.188	0.130	0.185	\$ 7.85
PR3750250C102P	3.750	1/4	.2505	0.102	0.157	\$ 9.90
PR3750250C130P	3.750	1/4	.2505	0.130	0.185	\$ 8.15
PR3780250C140P	3.780	1/4	.2505	0.140	0.190	\$ 15.06
PR3800250C135P	3.800	1/4	.2505	0.135	0.185	\$ 15.12
PR3810156C130P	3.810	5/32	.1565	0.130	0.180	\$ 15.22
PR3990500C142P	3.990	1/2	.5005	0.142	0.194	\$ 20.13
PR4000125C142P	4.000	1/8	.1255	0.142	0.194	\$ 10.85
PR4000187C142P	4.000	3/16	.188	0.142	0.194	\$ 8.55
PR4000250C142P	4.000	1/4	.2505	0.142	0.194	\$ 9.00
PR4000312C142P	4.000	5/16	.313	0.142	0.194	\$ 10.35
PR4010187C162P	4.010	3/16	.1880	0.162	0.215	\$ 15.84
PR4018187C142P	4.018	3/16	.1880	0.142	0.194	\$ 16.00
PR4050250C162P	4.050	1/4	.2505	0.162	0.215	\$ 16.06
PR4075250C162P	4.075	1/4	.2505	0.162	0.215	\$ 16.08
PR4250187C150P	4.250	3/16	.188	0.150	0.203	\$ 10.20
PR4250250C150P	4.250	1/4	.2505	0.150	0.203	\$ 9.00
PR4260250C150P	4.260	1/4	.2505	0.150	0.203	\$ 9.62
PR4500125C160P	4.500	1/8	.1255	0.160	0.213	\$ 11.20
PR4500187C160P	4.500	3/16	.188	0.160	0.213	\$ 9.00
PR4500250C160P	4.500	1/4	.2505	0.160	0.213	\$ 9.65
PR4500312C155P	4.500	5/16	.313	0.155	0.213	\$ 10.75
Joint Clearance			.010	/.020		
PR4750250C167P	4.750	1/4	.2505	0.167	0.221	\$ 9.65
PR4750375C175P	4.750	3/8	.3755	0.175	0.230	\$ 13.15
PR4865250C167P	4.865	1/4	.2505	0.167	0.221	\$ 15.56
PR4875250C185P	4.875	1/4	.2505	0.185	0.238	\$ 16.59
PR5000187C175P	5.000	3/16	.188	0.175	0.230	\$ 11.60
PR5000250C175P	5.000	1/4	.2505	0.175	0.230	\$ 12.20

Cast Iron Piston Rings, cont'd.

Part Number	Bore Dia. C	Ring Width D ₁	Groove Width D +.003 -.000	Max. Wall A ₁	Groove Depth A +.000 -.003	Price
PR5000312C175P	5.000	5/16	.313	0.175	0.230	\$ 13.30
PR5000375C175P	5.000	3/8	.3755	0.175	0.230	\$ 14.35
PR500500C195P	5.000	1/2	.5005	0.195	0.245	\$ 23.29
PR5030250C175P	5.030	1/4	.2505	0.175	0.230	\$ 20.33
PR5250187C181P	5.250	3/16	.188	0.181	0.234	\$ 11.60
PR5250250C181P	5.250	1/4	.2505	0.181	0.234	\$ 12.20
PR5250250C200P	5.250	1/4	.2505	0.200	0.250	\$ 12.29
PR5250312C181P	5.250	5/16	.313	0.181	0.234	\$ 13.30
PR5260250C195P	5.260	1/4	.2505	0.195	0.245	\$ 13.95
PR5285250C195P	5.285	1/4	.2505	0.195	0.245	\$ 17.73
PR5496250C155P	5.496	1/4	.2505	0.155	0.205	\$ 11.60
PR5500125C190P	5.500	1/8	.1255	0.190	0.240	\$ 15.25
PR5500187C190P	5.500	3/16	.188	0.190	0.240	\$ 13.85
PR5500250C190P	5.500	1/4	.2505	0.190	0.240	\$ 15.35
PR5500312C190P	5.500	5/16	.313	0.190	0.240	\$ 17.65
PR5500375C190P	5.500	3/8	.3755	0.190	0.240	\$ 19.95
PR5625187C205P	5.625	3/16	.188	0.205	0.257	\$ 16.60
PR5717250C172P	5.717	1/4	.2505	0.172	0.222	\$ 24.52
PR5750125C214P	5.750	1/8	.1255	0.214	0.258	\$ 15.25
PR5750187C214P	5.750	3/16	.188	0.214	0.258	\$ 16.60
PR5750250C145P	5.750	1/4	.2505	0.145	0.208	\$ 15.35
PR5750312C199P	5.750	5/16	.313	0.199	0.249	\$ 17.65
PR5895312C190P	5.895	5/16	.3130	0.190	0.240	\$ 19.73
PR6000187C206P	6.000	3/16	.188	0.206	0.256	\$ 14.10
PR6000250C206P	6.000	1/4	.2505	0.206	0.256	\$ 15.35
PR6000312C206P	6.000	5/16	.313	0.206	0.256	\$ 17.85
PR6000375C206P	6.000	3/8	.3755	0.200	0.250	\$ 19.95
PR6000500C206P	6.000	1/2	.5005	0.206	0.256	\$ 38.20
PR6025250C206P	6.025	1/4	.2505	0.206	0.256	\$ 20.38
PR6035250C220P	6.035	1/4	.2505	0.220	0.270	\$ 20.51
PR6040312C206P	6.040	5/16	.3130	0.206	0.256	\$ 26.56
PR6125312C217P	6.125	5/16	.3130	0.217	0.258	\$ 27.83
PR6156312C217P	6.156	5/16	.313	0.217	0.258	\$ 27.80
PR6250187C217P	6.250	3/16	.188	0.217	0.258	\$ 16.85
PR6250250C217P	6.250	1/4	.2505	0.217	0.258	\$ 15.35
PR6250312C217P	6.250	5/16	.313	0.217	0.258	\$ 17.85
PR6250375C217P	6.250	3/8	.3755	0.217	0.258	\$ 26.10
PR6260250C206P	6.260	1/4	.2505	0.206	0.256	\$ 14.90
PR6496250C155P	6.496	1/4	.2505	0.155	0.205	\$ 13.95
PR6500187C226P	6.500	3/16	.188	0.226	0.276	\$ 16.85
PR6500250C226P	6.500	1/4	.2505	0.226	0.276	\$ 15.35
PR6500312C185P	6.500	5/16	.313	0.185	0.235	\$ 17.85
PR6500500C226P	6.500	1/2	.5005	0.226	0.276	\$ 31.49
PR6625187C222P	6.625	3/16	.1880	0.222	0.272	\$ 36.22
PR6750250C170P	6.750	1/4	.2505	0.170	0.220	\$ 19.15
PR6750250C234P	6.750	1/4	.2505	0.234	0.284	\$ 19.00
PR6750312C240P	6.750	5/16	.313	0.240	0.290	\$ 27.80
PR7000187C243P	7.000	3/16	.188	0.243	0.293	\$ 26.10
PR7000250C243P	7.000	1/4	.2505	0.243	0.293	\$ 19.00
PR7000312C243P	7.000	5/16	.313	0.243	0.293	\$ 22.95
PR7000375C190P	7.000	3/8	.3755	0.190	0.240	\$ 26.30
PR7000500C233P	7.000	1/2	.5005	0.233	0.283	\$ 30.00
PR7015375C155P	7.015	3/8	.3755	0.155	0.205	\$ 34.85
PR7040312C243P	7.040	5/16	.3130	0.243	0.293	\$ 27.38

Part Number	Bore Dia. C	Ring Width D ₁	Groove Width D +.003 -.000	Max. Wall A ₁	Groove Depth A +.000 -.003	Price
PR7156312C243P	7.156	5/16	.313	0.243	0.293	\$ 34.55
PR7250187C255P	7.250	3/16	.188	0.255	0.305	\$ 26.10
PR7250250C252P	7.250	1/4	.2505	0.252	0.302	\$ 19.00
PR7250312C252P	7.250	5/16	.313	0.252	0.302	\$ 22.95
PR7280250C272P	7.280	1/4	.2505	0.272	0.322	\$ 22.78
PR7300250C243P	7.300	1/4	.2505	0.243	0.293	\$ 22.84
PR7500187C259P	7.500	3/16	.188	0.259	0.309	\$ 30.70
PR7500250C259P	7.500	1/4	.2505	0.259	0.309	\$ 21.65
PR7500312C170P	7.500	5/16	.313	0.170	0.225	\$ 29.40
PR7500312C259P	7.500	5/16	.313	0.259	0.309	\$ 25.90
PR7625312C263P	7.625	5/16	.3130	0.263	0.303	\$ 29.73
PR7740312C244P	7.740	5/16	.313	0.244	0.294	\$ 39.95
PR7750250C267P	7.750	1/4	.2505	0.267	0.307	\$ 33.50
PR7750312C267P	7.750	5/16	.313	0.267	0.307	\$ 25.90
PR7937312C250P	7.937	5/16	.313	0.250	0.300	\$ 39.95
PR8000250C275P	8.000	1/4	.2505	0.275	0.325	\$ 23.60
PR8000312C275P	8.000	5/16	.313	0.275	0.325	\$ 28.65
PR8000375C275P	8.000	3/8	.3755	0.275	0.325	\$ 35.46
PR8000437C295P	8.000	7/16	.438	0.295	0.333	\$ 40.70
PR8000500C275P	8.000	1/2	.5005	0.275	0.325	\$ 41.44
PR8040437C260P	8.040	7/16	.4380	0.260	0.310	\$ 45.73
PR8125250C275P	8.125	1/4	.2505	0.275	0.325	\$ 45.12
PR8145437C270P	8.145	7/16	.4380	0.270	0.320	\$ 46.44
PR8250250C283P	8.250	1/4	.2505	0.283	0.321	\$ 37.05
PR8437250C286P	8.437	1/4	.2505	0.286	0.324	\$ 27.00
PR8467250C286P	8.467	1/4	.2505	0.286	0.336	\$ 44.44
PR8500187C290P	8.500	3/16	.188	0.290	0.340	\$ 35.15
PR8500250C290P	8.500	1/4	.2505	0.290	0.340	\$ 25.85
PR8500312C185P	8.500	5/16	.313	0.185	0.247	\$ 35.10
PR8500312C290P	8.500	5/16	.313	0.290	0.340	\$ 35.10
PR8500375C290P	8.500	3/8	.3755	0.290	0.340	\$ 38.20
PR9000125C309P	9.000	1/8	.1255	0.309	0.359	\$ 34.51
PR9000250C309P	9.000	1/4	.2505	0.309	0.359	\$ 39.90
PR9000312C309P	9.000	5/16	.313	0.309	0.359	\$ 32.52
PR9000375C309P	9.000	3/8	.3755	0.309	0.359	\$ 34.80
PR9000500C191P	9.000	1/2	.5005	0.191	0.241	\$ 61.45
PR9000500C309P	9.000	1/2	.5005	0.309	0.359	\$ 61.47
PR9170312C308P	9.170	5/16	.313	0.308	0.358	\$ 39.95
PR9170375C308P	9.170	3/8	.3755	0.308	0.358	\$ 52.75
PR9250500C285P	9.250	1/2	.5005	0.285	0.335	\$ 69.96
PR9500187C320P	9.500	3/16	.1880	0.320	0.370	\$ 57.73
PR9500312C330P	9.500	5/16	.313	0.330	0.380	\$ 43.41
PR9500375C320P	9.500	3/8	.3755	0.320	0.370	\$ 34.80
PR9675375C320P	9.675	3/8	.3755	0.320	0.370	\$ 61.67
PR9750250C305P	9.750	1/4	.2505	0.305	0.354	\$ 42.27
PR10000375C332P	10.000	3/8	.3755	0.332	0.382	\$ 82.55
PR10500250C341P	10.500	1/4	.2505	0.341	0.405	\$ 99.71
PR10500375C335P	10.500	3/8	.3755	0.335	0.399	\$118.98
PR11000375C358P	11.000	3/8	.3755	0.358	0.420	\$ 82.55
PR11000500C191P	11.000	1/2	.5005	0.191	0.241	\$102.26
PR11000500C358P	11.000	1/2	.5005	0.385	0.420	\$105.45
PR12000375C401P	12.000	3/8	.3755	0.401	0.446	\$ 87.55
PR12000500C421S	12.000	1/2	.5005	0.421	0.466	\$105.45
PR12375437C416P	12.375	7/16	.438	0.416	0.461	\$119.78

Cast Iron Piston Rings