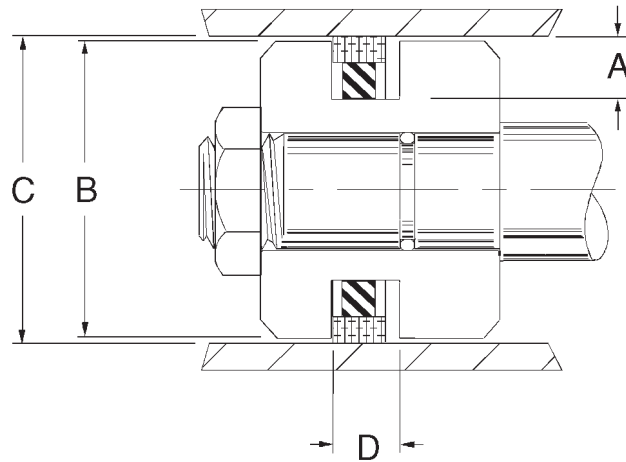


AS980 TFE Piston Seals



AS980 rectangular piston seal assemblies are manufactured from a custom blended glass/moly reinforced TFE and include a rectangular shaped nitrile lathe cut expander. These rugged seals are replacements for those used in Caterpillar equipment and auxilliary items used on construction equipment.

Temperature: -40 to 225F

Pressure: 0 to 3,000 PSI

AS 980 / AS 990 Piston Seals

Part Number	O E M Part Num-	Bore C	Seal Width D 1	Groove Depth A	Groove Width D	Seal Wall	Price
AS980E-32	5J7004	2.000	3/16	.220	.180	.125	\$ 11.29
AS980E-36	1U3998	2.250	3/16				\$ 11.58
AS980E-40	8J6213	2.500	3/16				\$ 13.63
AS980E-44	5J7010	2.750	3/16	.211	.181	.118	\$ 12.01
AS980E-48	6J1972	3.000	3/16				\$ 12.14
AS980E-52	6J0793	3.250	3/16				\$ 12.48
AS980E-56	5J7013	3.500	3/16	.302	.183	.115	\$ 12.82
AS980E-60	5J8011	3.750	3/16				\$ 14.76
AS980E-64	5J5402	4.000	1/4	.363	.244	.113	\$ 14.97
AS980E-68	5J7854	4.250	1/4	.377	.245	.120	\$ 15.18
AS980E-72	5J4986	4.500	1/4	.363	.243	.113	\$ 17.63
AS980E-76	5J4987	4.750	1/4				\$ 17.95
AS980E-80	5J5020	5.000	3/8	.437	.365	.110	\$ 18.63
AS980E-84	5J7234	5.250	3/8	.436	.368	.118	\$ 20.39
AS980E-88	5J4988	5.500	3/8	.434	.365	.114	\$ 20.84
AS980E-96	5J4989	6.000	3/8	.490	.363	.135	\$ 23.34
AS980E-100	5J4990	6.250	3/8	.518	.367	.145	\$ 25.09
AS980E-104	5J4991	6.500	3/8				\$ 25.65
AS980E-112	5J4997	7.000	3/8	.505	.367	.145	\$ 28.04
AS980E-116	5J4993	7.250	3/8	.518	.367	.143	\$ 47.74
AS980E-120	9J7117	7.500	3/8	.493	.370	.143	\$ 52.57
AS980E-124	5J7016	7.750	3/8	.501	.367	.146	\$ 62.96
AS980E-132	5J5559	8.250	3/8	.547	.367	.137	\$ 55.78
AS980E-136	6J9385	8.500	3/8	.557	.367	.142	\$ 59.29
AS980E-148	5J7019	9.250	3/8	.563	.367	.143	\$ 60.31
AS980E-168	5J6762	10.500	7/16	.622	.428	.177	\$ 84.38