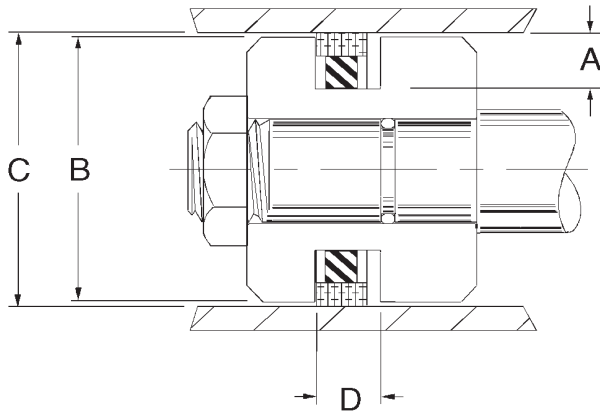


AS900 TFE Piston Seals



AS900 style rectangular piston seal assemblies are supplied with 70 durometer nitrile lathe cut energizers and glass filled teflon or bronze filled teflon outer rings for extra heavy duty applications and larger clearance gaps. AS900 style seals provide many cycles of drift-free service to medium and heavy duty cylinder applications.

Temperature: -40 to 225F

Pressure: 0 to 3,000 PSI

Bronze - Filled Teflon

Part Number	Bore Dia. C +.025 -.000	Groove Depth A +.002 -.000	Groove Width D +.005 -.000	Seal Width D ₁	Seal Wall	Price
AS900E-28B	1.750	0.155	0.125	0.121	0.070	\$ 5.62
AS900E-32B	2.000	0.155	0.125	0.121	0.070	\$ 6.24
AS900E-40B	2.500	0.155	0.125	0.121	0.070	\$ 6.87
AS900E-48B	3.000	0.278	0.278	0.274	0.090	\$ 7.49
AS900E-52B	3.250	0.278	0.278	0.274	0.090	\$ 9.38
AS900E-56B	3.500	0.278	0.278	0.274	0.090	\$ 11.28
AS900E-60B	3.750	0.278	0.278	0.274	0.090	\$ 12.22
AS900E-64B	4.000	0.278	0.278	0.274	0.090	\$ 12.89
AS900E-68B	4.250	0.278	0.278	0.274	0.090	\$ 13.79
AS900E-72B	4.500	0.278	0.278	0.274	0.090	\$ 14.20
AS900E-80B	5.000	0.278	0.278	0.274	0.090	\$ 17.33
AS900E-84B	5.250	0.387	0.375	0.367	0.142	\$ 17.88
AS900E-88B	5.500	0.387	0.375	0.367	0.142	\$ 19.66
AS900E-96B	6.000	0.387	0.375	0.367	0.142	\$ 24.33
AS900E-100B	6.250	0.387	0.375	0.367	0.142	\$ 28.96
AS900E-104B	6.500	0.387	0.375	0.367	0.142	\$ 28.75
AS900E-108B	6.750	0.387	0.375	0.367	0.142	\$ 34.62
AS900E-112B	7.000	0.387	0.375	0.367	0.142	\$ 29.34
AS900E-116B	7.250	0.387	0.375	0.367	0.142	\$ 34.87
AS900E-120B	7.500	0.387	0.375	0.367	0.142	\$ 30.39
AS900E-126B	7.875	0.387	0.375	0.367	0.142	\$ 49.82
AS900E-128B	8.000	0.387	0.375	0.367	0.142	\$ 32.96
AS900E-132B	8.250	0.387	0.375	0.367	0.142	\$ 40.59
AS900E-135B	8.437	0.387	0.375	0.367	0.142	\$ 54.86
AS900E-136B	8.500	0.387	0.375	0.367	0.142	\$ 39.40
AS900E-144B	9.000	0.445	0.375	0.367	0.202	\$ 45.36
AS900E-152B	9.500	0.445	0.375	0.367	0.202	\$ 53.81
AS900E-156B	9.750	0.445	0.375	0.367	0.202	\$ 123.97
AS900E-158B	9.875	0.445	0.375	0.367	0.202	\$ 126.54
AS900E-160B	10.000	0.445	0.375	0.367	0.202	\$ 59.12
AS900E-164B	10.250	0.445	0.375	0.367	0.202	\$ 234.53
AS900E-168B	10.500	0.445	0.375	0.367	0.202	\$ 114.12
AS900E-176B	11.000	0.445	0.375	0.367	0.202	\$ 116.59
AS900E-184B	11.500	0.445	0.375	0.367	0.202	\$ 133.84
AS900E-189B	11.812	0.445	0.375	0.367	0.202	\$ 274.73
AS900E-192B	12.000	0.445	0.375	0.367	0.202	\$ 114.76
AS900E-196B	12.250	0.445	0.375	0.367	0.202	\$ 281.91
AS900E-200B	12.500	0.445	0.375	0.367	0.202	\$ 144.40
AS900E-208B	13.000	0.445	0.375	0.367	0.202	\$ 119.89
AS900E-224B	14.000	0.445	0.375	0.367	0.202	\$ 129.54
AS900E-256B	16.000	0.445	0.375	0.367	0.202	\$ 539.13

Glass - Filled Teflon

Part Number	Bore Dia. C +.025 -.000	Groove Depth A +.002 -.000	Groove Width D +.005 -.000	Seal Width D ₁	Seal Wall	Price
AS900E-16	1.000	0.155	0.125	0.121	0.070	\$ 3.33
AS900E-20	1.250	0.155	0.125	0.121	0.070	\$ 3.42
AS900E-24	1.500	0.155	0.125	0.121	0.070	\$ 3.51
AS900E-28	1.750	0.155	0.125	0.121	0.070	\$ 3.87
AS900E-32	2.000	0.155	0.125	0.121	0.070	\$ 4.31
AS900E-34	2.125	0.155	0.125	0.121	0.070	\$ 5.86
AS900E-36	2.250	0.155	0.125	0.121	0.070	\$ 4.49
AS900E-40	2.500	0.155	0.125	0.121	0.070	\$ 4.74
AS900E-44	2.750	0.155	0.125	0.121	0.070	\$ 4.92
AS900E-48	3.000	0.278	0.278	0.274	0.090	\$ 5.17
AS900E-50.5	3.150	0.278	0.278	0.274	0.090	\$ 15.17
AS900E-52	3.250	0.278	0.278	0.274	0.090	\$ 6.47
AS900E-56	3.500	0.278	0.278	0.274	0.090	\$ 7.92
AS900E-60	3.750	0.278	0.278	0.274	0.090	\$ 8.43
AS900E-64	4.000	0.278	0.278	0.274	0.090	\$ 8.89
AS900E-68	4.250	0.278	0.278	0.274	0.090	\$ 9.51
AS900E-72	4.500	0.278	0.278	0.274	0.090	\$ 9.79
AS900E-72.5	4.528	0.278	0.278	0.274	0.090	\$ 17.45
AS900E-76	4.750	0.278	0.278	0.274	0.090	\$ 10.13
AS900E-78	4.875	0.278	0.278	0.274	0.090	\$ 22.82
AS900E-80	5.000	0.278	0.278	0.274	0.090	\$ 11.95
AS900E-82	5.125	0.278	0.278	0.274	0.090	\$ 23.44
AS900E-84	5.250	0.387	0.375	0.367	0.142	\$ 12.33
AS900E-88	5.500	0.387	0.375	0.367	0.142	\$ 13.56
AS900E-92	5.750	0.387	0.375	0.367	0.142	\$ 15.94
AS900E-96	6.000	0.387	0.375	0.367	0.142	\$ 16.78
AS900E-98	6.125	0.387	0.375	0.367	0.142	P.O.R.
AS900E-100	6.250	0.387	0.375	0.367	0.142	\$ 19.97
AS900E-104	6.500	0.387	0.375	0.367	0.142	\$ 20.17
AS900E-108	6.750	0.387	0.375	0.367	0.142	\$ 34.62
AS900E-112	7.000	0.387	0.375	0.367	0.142	\$ 20.65
AS900E-116	7.250	0.387	0.375	0.367	0.142	\$ 24.05
AS900E-120	7.500	0.387	0.375	0.367	0.142	\$ 20.96
AS900E-124	7.750	0.387	0.375	0.367	0.142	\$ 27.88
AS900E-128	8.000	0.387	0.375	0.367	0.142	\$ 24.80
AS900E-130	8.125	0.387	0.375	0.367	0.142	\$ 32.92
AS900E-132	8.250	0.387	0.375	0.367	0.142	\$ 27.99
AS900E-136	8.500	0.387	0.375	0.367	0.142	\$ 27.86
AS900E-144	9.000	0.445	0.375	0.367	0.202	\$ 32.73
AS900E-152	9.500	0.445	0.375	0.367	0.202	\$ 36.42
AS900E-160	10.000	0.445	0.375	0.367	0.202	\$ 38.70
AS900E-168	10.500	0.445	0.375	0.367	0.202	\$ 78.70
AS900E-176	11.000	0.445	0.375	0.367	0.202	\$ 80.41
AS900E-192	12.000	0.445	0.375	0.367	0.202	\$ 83.28
AS900E-208	13.000	0.445	0.375	0.367	0.202	\$ 83.37
AS900E-212	13.250	0.445	0.375	0.367	0.202	\$ 219.70
AS900E-224	14.000	0.445	0.375	0.367	0.202	\$ 90.72

AS900 Teflon Piston Seals