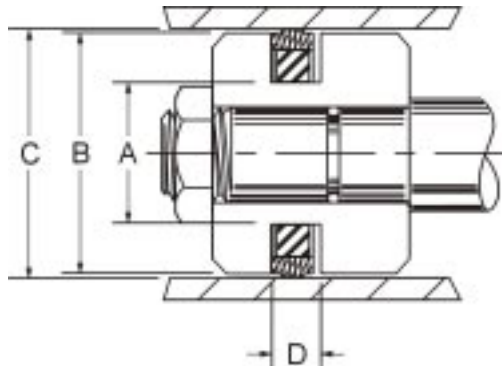


# AS600 Hytrel Piston Seals



These compact seal assemblies are molded from a specially blended hytrel material and include a 70 durometer nitrile o-ring expander. They are interchangeable with the AS900 TFE piston seal grooves and offer easier installation and better resistance to cold flow and extrusion.

Temperature: -40 to 225F

Pressure: 0 to 5,000 PSI

AS600 Piston Seals / Specials

Part Number	Bore Dia. C + .025 - .000	Groove Depth A + .002 - .000	Groove Width D + .005 - .000	Seal Width D <sub>1</sub>	Seal Wall	Price
AS600E-16	1.000	0.155	0.125	0.121	0.070	\$ 3.77
AS600E-20	1.250	0.155	0.125	0.121	0.070	\$ 3.87
AS600E-24	1.500	0.155	0.125	0.121	0.070	\$ 3.97
AS600E-28	1.750	0.155	0.125	0.121	0.070	\$ 4.09
AS600E-32	2.000	0.155	0.125	0.121	0.070	\$ 4.28
AS600E-36	2.250	0.155	0.125	0.121	0.070	\$ 5.77
AS600E-40	2.500	0.155	0.125	0.121	0.070	\$ 4.59
AS600E-44	2.750	0.155	0.125	0.121	0.070	\$ 4.81
AS600E-48	3.000	0.278	0.278	0.274	0.090	\$ 5.97
AS600E-52	3.250	0.278	0.278	0.274	0.090	\$ 6.36
AS600E-56	3.500	0.278	0.278	0.274	0.090	\$ 6.48
AS600E-60	3.750	0.278	0.278	0.274	0.090	\$ 6.99
AS600E-64	4.000	0.278	0.278	0.274	0.090	\$ 7.08
AS600E-68	4.250	0.278	0.278	0.274	0.090	\$ 7.85
AS600E-72	4.500	0.278	0.278	0.274	0.090	\$ 8.16
AS600E-76	4.750	0.278	0.278	0.274	0.090	\$ 8.67

Part Number	Bore Dia. C + .025 - .000	Groove Depth A + .002 - .000	Groove Width D + .005 - .000	Seal Width D <sub>1</sub>	Seal Wall	Price
AS600E-80	5.000	0.278	0.278	0.274	0.090	\$ 8.72
AS600E-84	5.250	0.387	0.375	0.367	0.142	\$ 13.47
AS600E-88	5.500	0.387	0.375	0.367	0.142	\$ 13.84
AS600E-92	5.750	0.387	0.375	0.367	0.142	\$ 14.94
AS600E-96	6.000	0.387	0.375	0.367	0.142	\$ 15.22
AS600E-100	6.250	0.387	0.375	0.367	0.142	\$ 15.54
AS600E-104	6.500	0.387	0.375	0.367	0.142	\$ 15.83
AS600E-112	7.000	0.387	0.375	0.367	0.142	\$ 16.38
AS600E-116	7.250	0.387	0.375	0.367	0.142	\$ 16.70
AS600E-120	7.500	0.387	0.375	0.367	0.142	\$ 17.01
AS600E-128	8.000	0.387	0.375	0.367	0.142	\$ 18.06
AS600E-135	8.437	0.387	0.375	0.367	0.142	\$ 18.44
AS600E-136	8.500	0.387	0.375	0.367	0.142	\$ 18.72
AS600E-144	9.000	0.445	0.375	0.367	0.202	\$ 19.10
AS600E-152	9.500	0.445	0.375	0.367	0.202	\$ 21.87
AS600E-160	10.000	0.445	0.375	0.367	0.202	\$ 22.35