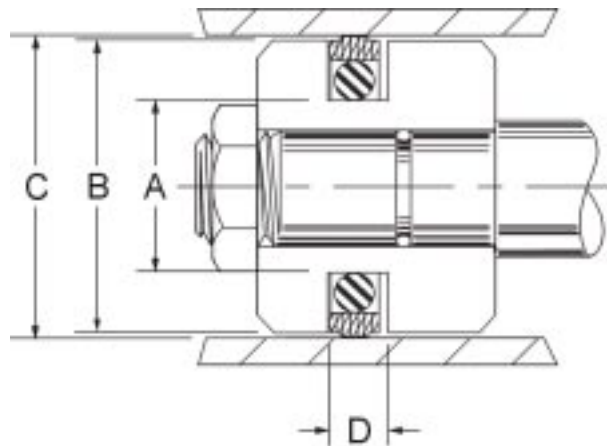


# AS6 Metric Hytel Piston Seals



These compact seal assemblies are molded from a specially blended hytel material and include a 70 durometer nitrile o-ring expander. They are interchangeable in many popular TFE piston seal grooves and offer easier installation and better resistance to cold flow and extrusion.

Temperature: -40 to 230F

Pressure: 0 to 5,000 PSI

AS6 Series Piston Seals

Part Number	Bore Dia. C	Groove Dia. A	Groove Width D	Price
AS632E-15MM	15	7.5	3.2	\$ 4.44
AS632E-16MM	16	8.5	3.2	\$ 4.44
AS632E-20MM	20	12.5	3.2	\$ 4.44
AS632E-25MM	25	17.5	3.2	\$ 4.44
AS536E-25MM	25	14.0	4.2	\$ 7.96
AS632E-30MM	30	22.5	3.2	\$ 4.47
AS632E-32MM	32	24.5	3.2	\$ 4.56
AS536E-32MM	32	21.0	4.2	\$ 10.61
AS632E-35MM	35	27.5	3.2	\$ 4.68
AS532E-36MM	36	28.5	3.2	\$ 6.12
AS532E-40MM	40	32.5	3.2	\$ 11.78
AS636E-40MM	40	29	4.2	\$ 4.65
AS540E-40MM	40	24.5	6.3	\$ 9.74
AS636E-45MM	45	34	4.2	\$ 4.82
AS540E-45MM	45	29.5	6.3	\$ 11.78
AS636E-50MM	50	39	4.2	\$ 5.05
AS640E-50MM	50	34.5	6.3	\$ 4.87
AS636E-55MM	55	44.0	4.2	\$ 5.44
AS640E-55MM	55	39.5	6.3	\$ 5.24
AS636E-60MM	60	49	4.2	\$ 5.36
AS640E-60MM	60	44.5	6.3	\$ 5.32
AS636E-63MM	63	52	4.2	\$ 5.52
AS640E-63MM	63	47.5	6.3	\$ 5.66
AS636E-65MM	65	54	4.2	\$ 5.91
PSP-65X52X6.3	65	52.0	6.3	\$ 6.05
AS640E-65MM	65	49.5	6.3	\$ 6.08
AS636E-70MM	70	59	4.2	\$ 6.57
PSP-70X57X6.3	70	57.0	6.3	\$ 6.38
AS636E-75MM	75	64	4.2	\$ 7.03

Part Number	Bore Dia. C	Groove Dia. A	Groove Width D	Price
AS540E-75MM	75	59.5	6.3	\$ 20.60
AS536E-80MM	80	69.0	4.2	\$ 8.87
AS640E-80MM	80	64.5	6.3	\$ 7.82
AS540E-85MM	85	69.5	6.3	\$ 20.60
AS640E-90MM	90	74.5	6.3	\$ 8.14
AS640E-100MM	100	84.5	6.3	\$ 8.34
AS640E-105MM	105	89.5	6.3	\$ 8.43
AS640E-110MM	110	94.5	6.3	\$ 9.14
AS640E-115MM	115	99.5	6.3	\$ 9.73
AS640E-120MM	120	104.5	6.3	\$ 10.16
AS642E-120MM	120	99.0	8.1	\$ 10.04
AS640E-125MM	125	109.5	6.3	\$ 10.27
AS642E-125MM	125	104.0	8.1	\$ 10.78
AS640E-130MM	130	114.5	6.3	\$ 11.07
AS642E-130MM	130	109	8.1	\$ 10.98
AS642E-135MM	135	114.0	8.1	\$ 14.90
AS640E-140MM	140	124.5	6.3	\$ 16.96
AS642E-140MM	140	119	8.1	\$ 16.30
AS642E-150MM	150	129	8.1	\$ 17.24
AS642E-160MM	160	139	8.1	\$ 17.93
AS642E-165MM	165	144.0	8.1	\$ 18.40
AS642E-170MM	170	149	8.1	\$ 18.43
AS642E-180MM	180	159	8.1	\$ 18.93
AS642E-190MM	190	169	8.1	\$ 19.87
AS642E-200MM	200	179	8.1	\$ 20.53
AS642E-210MM	210	189	8.1	\$ 22.90
AS642E-225MM	225	204.0	8.1	\$ 27.28
AS642E-240MM	240	219.0	8.1	\$ 34.68
AS642E-250MM	250	229.0	8.1	\$ 42.64