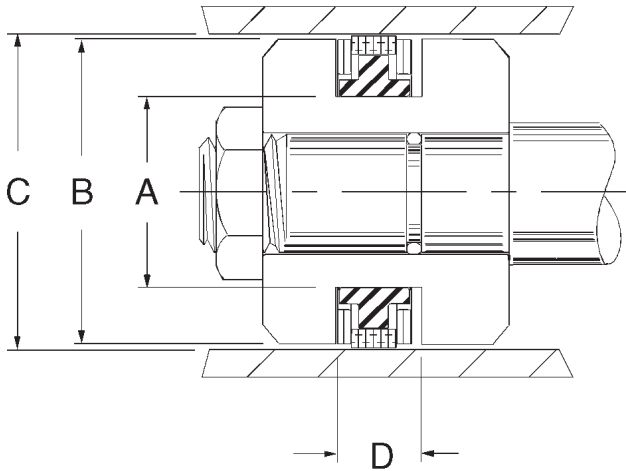
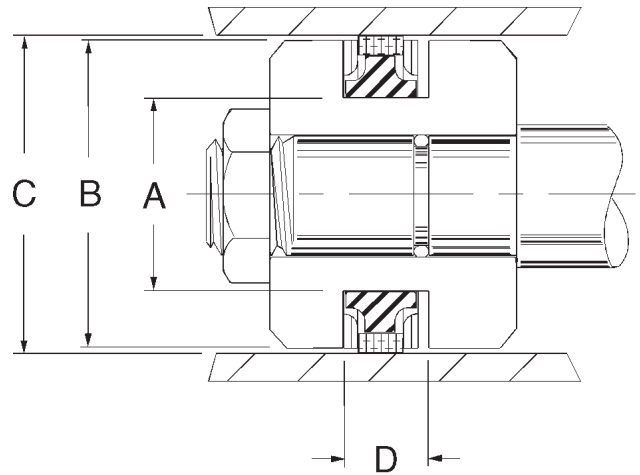


4 Piece TFE Piston Seals

These "heavy-duty" seals are designed to withstand higher pressures and shock loads with less damage to the seal. T-seal principles are utilized with back-ups being used to protect the seal from contaminants. The compact design allows use of shorter pistons and larger bearing surfaces. 4 pc. piston seals come in many sizes to fit different types of equipment. They are commonly found in heavy equipment such as: Caterpillar, John Deere, and Komatsu, as well as some heavy duty industrial cylinders.

Temperature: -40 to 225F

Pressure: 0 to 6,000 PSI



Part Number	Bore Dia. C +.005/- -.000	Piston Dia. B +.005/- -.000	Groove Dia. A +.005/- -.000	Groove Width D ±.005	Price
4PT4500-500	4.500	4.480	3.909	0.497	\$ 46.52
4PT5000-625	5.000	4.980	4.230	0.635	\$ 57.42
4PT5500-625	5.500	5.480	4.730	0.635	\$ 64.13
4PT6000-625	6.000	5.980	5.094	0.635	\$ 69.05
4PT6250-625	6.250	6.230	5.344	0.635	\$ 76.16
4PT6500-625	6.500	6.480	5.594	0.635	\$ 83.59
4PT7000-625	7.000	6.980	6.094	0.635	\$ 89.49
4PT7250-625	7.250	7.230	6.344	0.635	\$ 79.04
4PT7500-625	7.500	7.480	6.594	0.635	\$ 82.85
4PT7750-625	7.750	7.730	6.844	0.635	\$ 86.18
4PT8250-625	8.250	8.230	7.344	0.635	\$ 90.41
4PT8500-625	8.500	8.480	7.505	0.635	\$ 94.86
4PT10000-687	10.000	9.980	8.898	0.693	\$ 114.00
4PT10500-687	10.500	10.480	9.398	0.693	\$ 122.84
4PT11500-687	11.500	11.480	10.398	0.693	\$ 142.44

Part Number	Bore Dia. C +.005/- -.000	Piston Dia. B +.005/- -.000	Groove Dia. A +.005/- -.000	Groove Width D ±.005	Price
4PE3000-562	3.000	2.993	2.522	0.579	\$ 39.10
4PE3250-562	3.250	3.243	2.772	0.579	\$ 40.13
4PE3500-562	3.500	3.495	3.022	0.579	\$ 41.18
4PE3750-562	3.750	3.743	3.272	0.579	\$ 41.80
4PE4000-562	4.000	3.995	3.522	0.579	\$ 41.95
4PE4250-562	4.250	4.243	3.772	0.579	\$ 43.56
4PE4500-562	4.500	4.495	4.022	0.579	\$ 48.85
4PE5000-750	5.000	4.993	4.274	0.750	\$ 56.90
4PE5250-750	5.250	5.243	4.524	0.750	\$ 59.45
4PE5500-750	5.500	5.493	4.774	0.750	\$ 62.95
4PE6000-750	6.000	5.993	5.274	0.750	\$ 65.70
4PE6250-750	6.250	6.243	5.524	0.750	\$ 66.02
4PE6500-562	6.500	6.243	6.022	0.579	\$ 78.04
4PE6500-750	6.500	6.493	5.774	0.750	\$ 80.55
4PE7000-750	7.000	6.993	6.274	0.750	\$ 82.72
4PE7500-750	7.500	7.493	6.774	0.750	\$ 87.65
4PE8000-750	8.000	7.993	7.274	0.750	\$ 93.90
4PE8500-750	8.500	8.493	7.774	0.750	\$ 105.38
4PE9000-750	9.000	8.993	8.274	0.750	\$ 116.45
4PE10000-750	10.000	9.993	9.275	0.750	\$ 133.10
4PE11000-750	11.000	10.993	10.275	0.750	\$ 142.96
4PE12000-750B	12.000	11.993	11.275	0.750	\$ 195.30
4PE13000-750B	13.000	12.993	12.275	0.750	\$ 228.58
4PE14000-750B	14.000	13.993	13.275	0.750	\$ 245.23
4PE15000-750B	15.000	14.993	14.275	0.750	\$ 466.84
4PE16000-750B	16.000	15.993	15.275	0.750	\$ 518.20