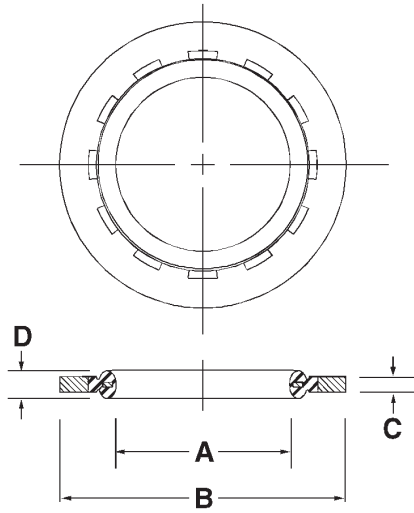


# 600 Series Stat-O-Seals



Stat-o-seals are one-piece, molded in place seals with the rubber sealing element mechanically locked to the metal retainer. Stat-o-seals are designed to seal beneath the head of the fastener as shown for both internal and external pressure systems. The principle of controlled confinement is utilized in the stat-o-seal. As the fastener is tightened the rubber seal is compressed, forcing the sealing surface securely around the fastener shank-but without squeezing the rubber beyond its elastic limit, or destroying its inherent "memory". With the stat-o-seal, there is full metal to metal contact of facing surfaces. The unique stat-o-seal design provides:

- Self centering of seal
- Vacuum sealing to positive high pressure sealing
- High re-usability factor
- Long, reliable service
- Fool-proof installation
- Moderate torquing
- No retorquing
- Quick visual inspection

Standard material is 60 durometer nitrile and cadmium plated steel. Temperature range is -65 to +225 degrees F. Note: 600-001 prefix stat-o-seals meet material specifications. Call engineering for more details.

Part Number	Screw Size	Inside Dia. A	Outside Dia. B	Metal Thickness	Rubber Thickness	Price
600-001-6	#6	0.130	0.385	0.040	0.050	\$ 1.19
600-001-8	#8	0.156	0.385	0.040	0.050	\$ 1.09
600-001-10	#10	0.180	0.443	0.050	0.072	\$ 1.13
600-001-10OS	#10	0.186	0.468	0.050	0.072	\$ 1.13
600-001-1/4	1/4	0.240	0.505	0.050	0.072	\$ 1.13
600-001-1/4OS	1/4	0.245	0.531	0.050	0.072	\$ 1.13
600-001-5/16	5/16	0.301	0.603	0.050	0.072	\$ 1.22
600-001-3/8	3/8	0.364	0.666	0.050	0.072	\$ 1.35
600-001-7/16	7/16	0.427	0.760	0.050	0.072	\$ 1.64
600-001-1/2	1/2	0.490	0.880	0.050	0.072	\$ 1.79
600-001-9/16	9/16	0.552	1.067	0.050	0.072	\$ 2.18
600-001-5/8	5/8	0.615	1.193	0.050	0.072	\$ 2.71
600-001-3/4	3/4	0.740	1.322	0.064	0.096	\$ 3.45
600-001-7/8	7/8	0.864	1.510	0.064	0.096	\$ 5.27
600-001-1	1	0.988	1.760	0.064	0.096	\$ 6.90

Fastener Seals