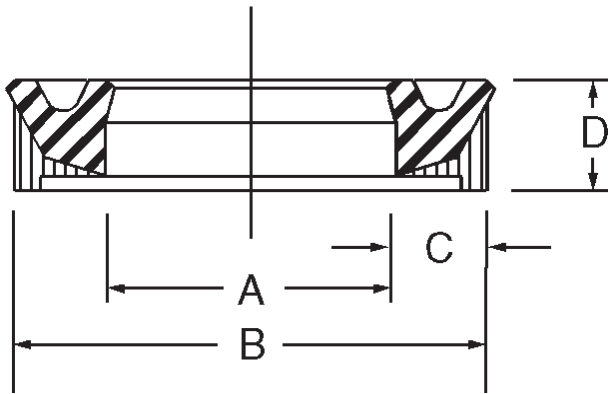


Metric 2-Piece Nitrile/Nylon U-Cups



These seals are to be used in applications where the piston is stepped on the outer diameter to accommodate the flange in the hard nylon heel of the two piece seal. The nylon cap serves as a bearing and anti-extrusion device. The seal material is a high durometer nitrile rubber.

Temperature: -22F to 212F

Pressure: 0 to 3045 psi

Part Number				Price	
Prefix	Inside Dia. A mm	Outside Dia. B mm	Height D mm		
MA20	-	27	X 45	X 12.1	\$ 29.31
MA20	-	32	X 50	X 12.1	\$ 30.47
MA20	-	37	X 55	X 12.1	\$ 30.75
MA20	-	42	X 60	X 12.1	\$ 31.08
MA20	-	47	X 65	X 12.1	\$ 32.85
MA20	-	48	X 70	X 14.5	\$ 34.48
MA20	-	58	X 80	X 14.5	\$ 36.17
MA20	-	68	X 90	X 14.5	\$ 38.53
MA20	-	78	X 100	X 14.5	\$ 39.47
MA20	-	88	X 110	X 14.5	\$ 41.74
MA20	-	93	X 115	X 14.5	\$ 42.30
MA20	-	98	X 120	X 14.5	\$ 42.71
MA20	-	103	X 125	X 14.5	\$ 44.08

Part Number				Price	
Prefix	Inside Dia. A mm	Outside Dia. B mm	Height D mm		
MA20	-	108	X 130	X 14.5	\$ 46.93
MA20	-	118	X 140	X 14.5	\$ 47.96
MA20	-	128	X 150	X 14.5	\$ 55.68
MA20	-	138	X 160	X 14.5	\$ 61.60
MA20	-	143	X 165	X 14.5	\$ 119.32
MA20	-	148	X 170	X 14.5	\$ 69.08
MA20	-	158	X 180	X 14.5	\$ 81.93
MA20	-	168	X 190	X 14.5	\$ 106.42
MA20	-	178	X 200	X 14.5	\$ 122.60
MA20	-	203	X 225	X 14.5	P.O.R.
MA20	-	208	X 230	X 14.5	P.O.R.
MA20	-	250	X 280	X 21.5	P.O.R.

Same day custom machined parts available upon request!

Contact our problem solving sales team to learn more.