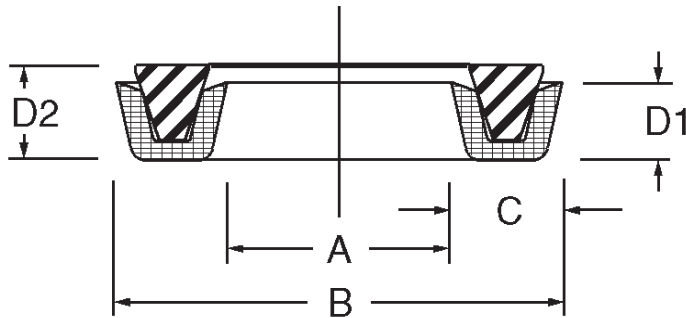


Leather U-Cups with Nitrile Filler



Despite the fact that leather u-cups with rubber fillers are somewhat outdated, we fulfill our commitment to our customers by carrying the hard to find items. Many applications still require the use of these seals since there are no reliable retrofits available. Among these applications are bucket trucks, drill rigs, forklifts and some cylinders built by Benton Harbor Engineering. They are constructed of thiokol treated leather with nitrile expander rings. Other sizes may be available by request.

Temperature: -50F to 275F

Pressure: 0 to 5000 psi

Part Number	Inside Dia. A	Outside Dia. B	Height D1	Height D2	Price
UCL087150-312F405	7/8	1-1/2	5/16	3/8	\$ 20.14
UCL125200-375F469	1-1/4	2	3/8	7/16	\$ 24.96
UCL150225-375F469	1-1/2	2-1/4	3/8	7/16	\$ 26.60
UCL175250-375F469	1-3/4	2-1/2	3/8	7/16	\$ 30.69
UCL175275-500F593	1-3/4	2-3/4	1/2	9/16	\$ 39.47
UCL200300-500F593	2	3	1/2	9/16	\$ 39.47
UCL225325-500F593	2-1/4	3-1/4	1/2	9/16	\$ 48.86
UCL250350-500F593	2-1/2	3-1/2	1/2	9/16	\$ 53.43
UCL275400-562F656	2-3/4	4	9/16	5/8	\$ 67.59
UCL300400-500F593	3	4	1/2	9/16	\$ 59.89
UCL300425-562F656	3	4-1/4	9/16	5/8	\$ 68.80
UCL325450-562F656	3-1/4	4-1/2	9/16	5/8	\$ 84.04
UCL375500-562F656	3-3/4	5	9/16	5/8	\$ 85.51
UCL425550-750F843	4-1/4	5-1/2	3/4	13/16	\$ 101.45
UCL475600-750F843	4-3/4	6	3/4	13/16	\$ 146.86
UCL525650-750F843	5-1/4	6-1/2	3/4	13/16	\$ 170.72
UCL575700-750F843	5-3/4	7	3/4	13/16	\$ 179.45

*Did you know??? We carry
 snow plow repair kits.*